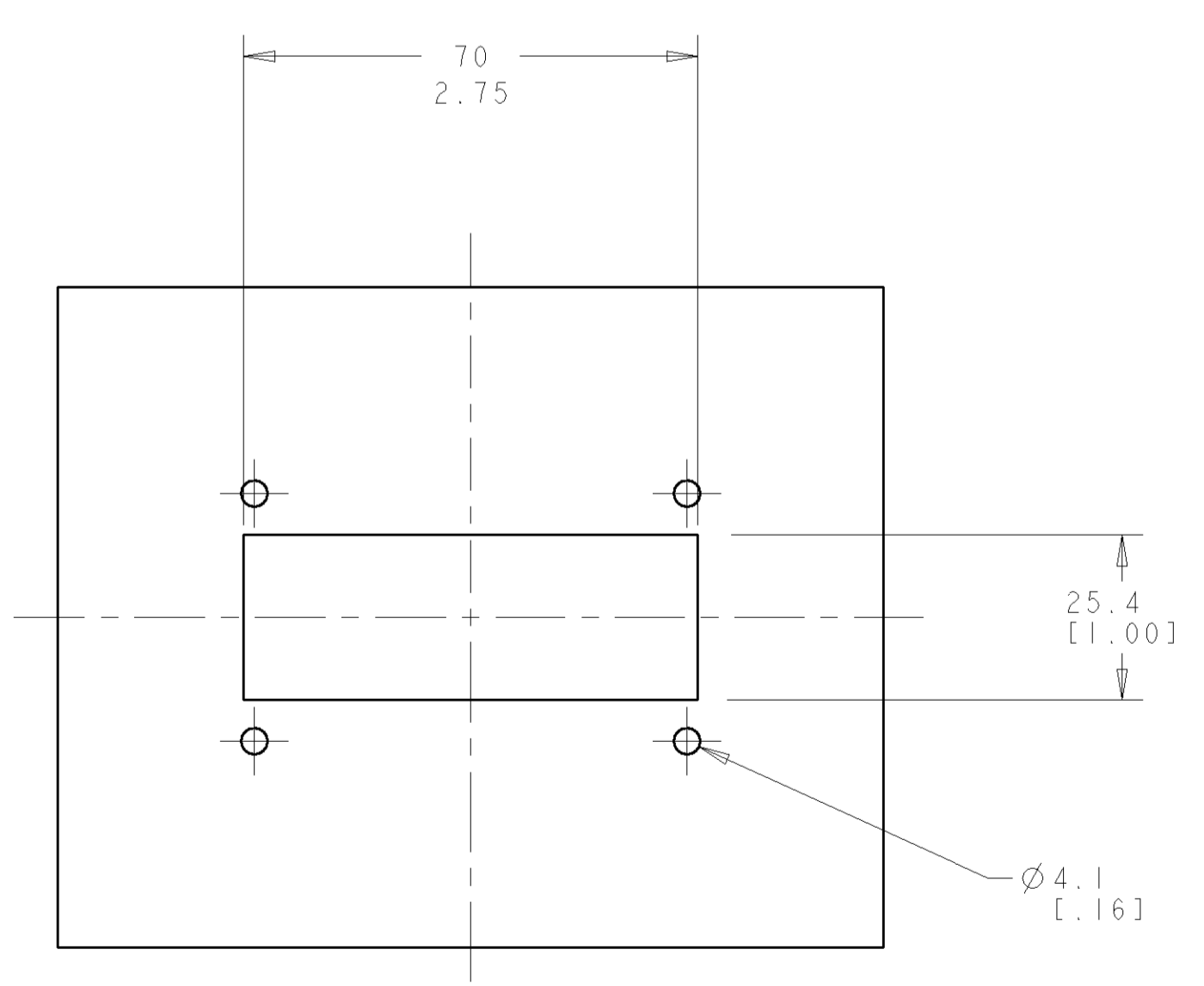
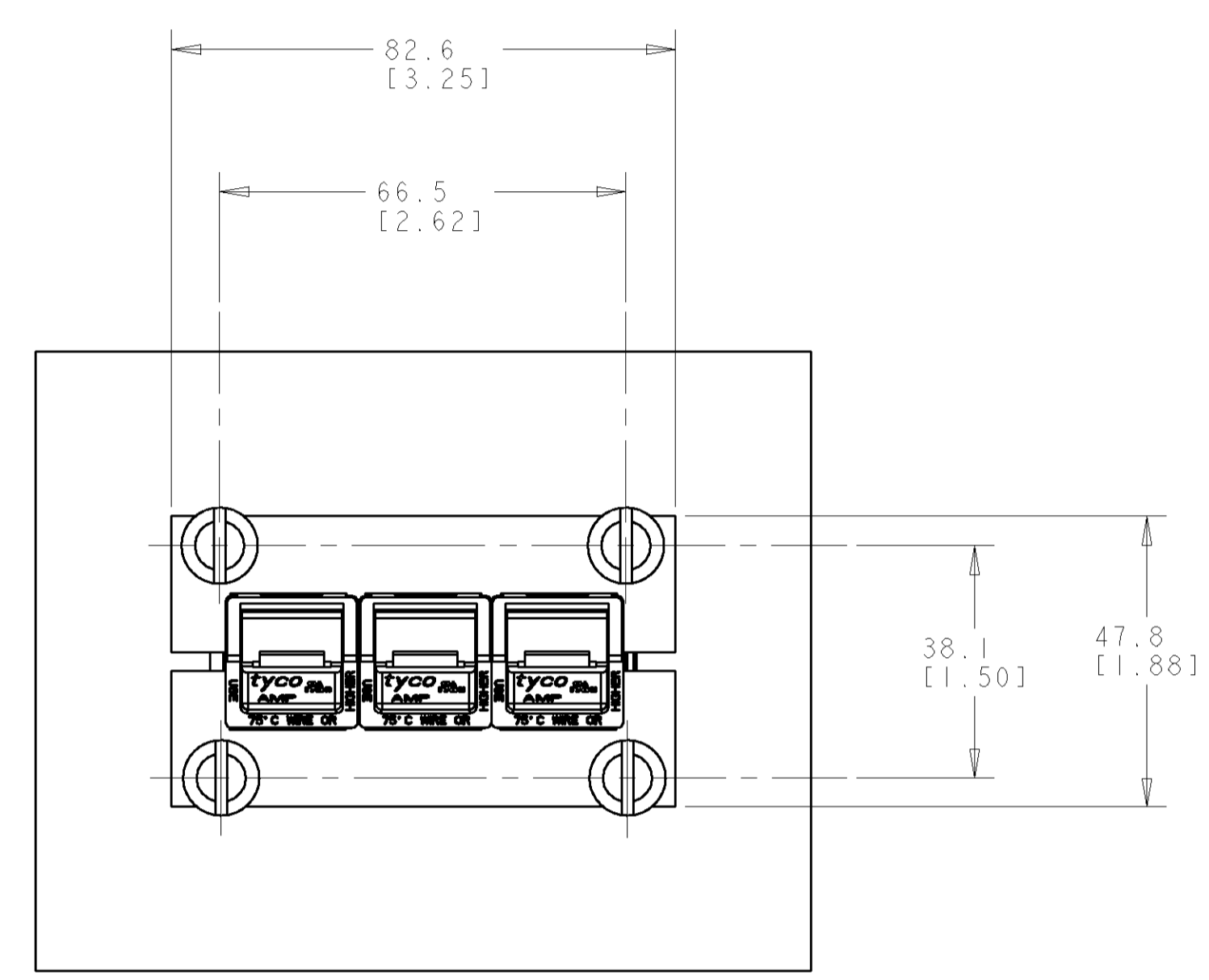
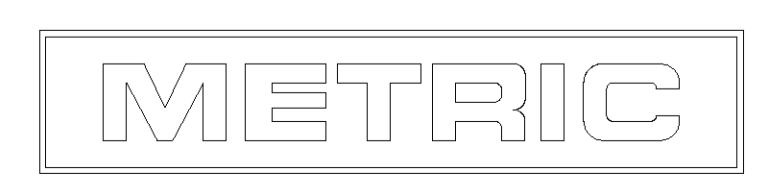
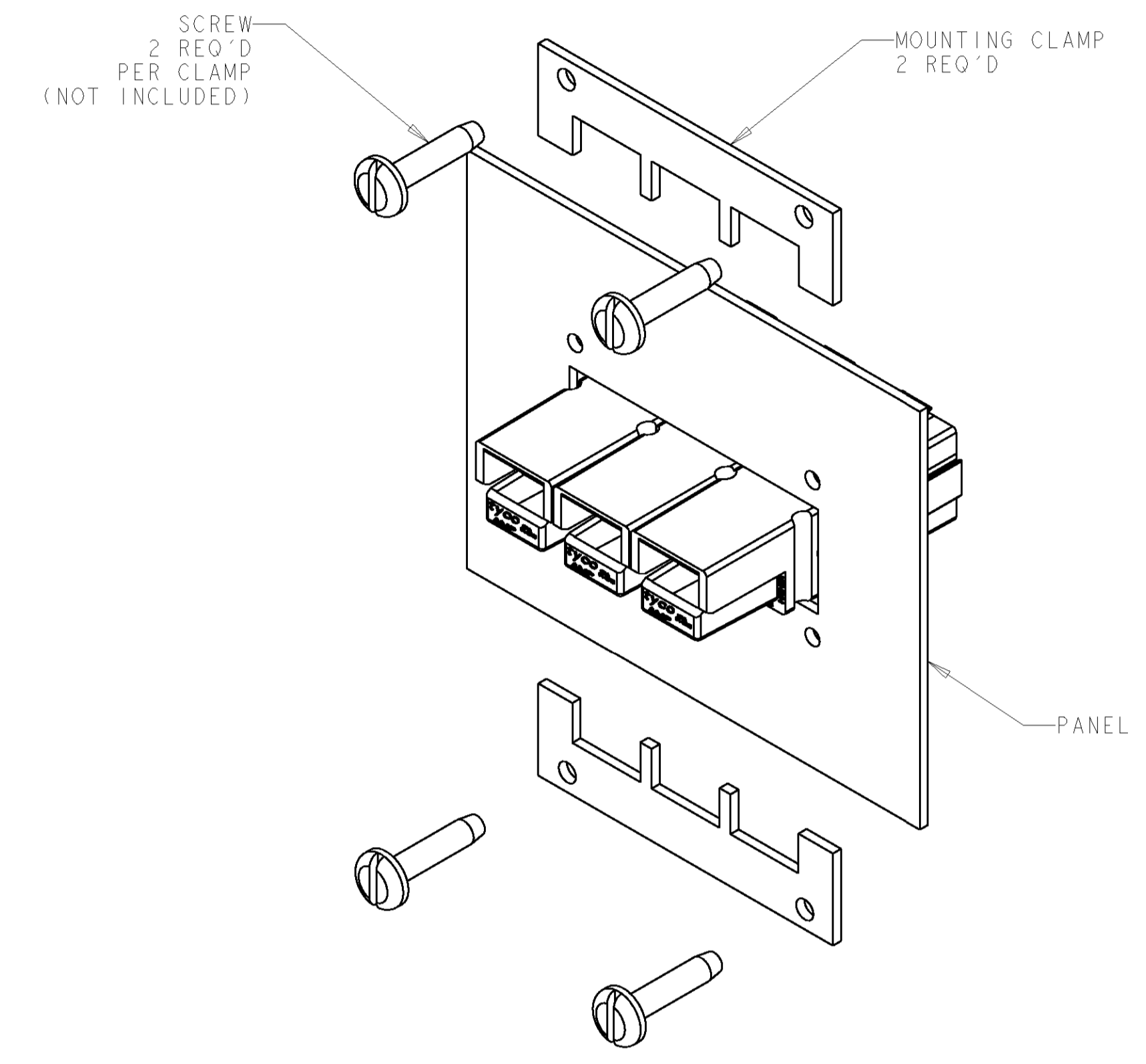


LOC		DIST		REVISIONS			
P	LTR	DESCRIPTION	DATE	DWN	APVD		
-1		PRE-RELEASED	14JAN2003	KW	JE		
0		REVISED PER 0638-0595-03	16JAN06	KW	JE		

1. MOUNTING CLAMPS SOLD IN PAIRS, SCREWS NOT INCLUDED.



PANEL CUTOUT DIMENSIONS



1 BOX	647722-2
1 PAIR	647722-1
QTY / UNIT OF MEASUREMENT	PART NUMBER

<small>THIS DRAWING IS UNPUBLISHED. RELEASED FOR PUBLICATION. ALL RIGHTS RESERVED. THIS DRAWING IS THE PROPERTY OF TYCO ELECTRONICS CORPORATION. IT IS TO BE USED ONLY FOR THE SPECIFIC APPLICATION AND ORGANIZATION FOR WHICH IT WAS DESIGNED. NO PARTS OR EQUIPMENT SHALL BE MANUFACTURED OR USED WITHOUT THE WRITTEN PERMISSION OF TYCO ELECTRONICS CORPORATION.</small>		DWN B. WHITAKER 14JAN2003	Tyco Electronics Harrisburg, PA 17105-3608
DIMENSIONS: mm [INCHES]		CHK J. ELLIS 14JAN2003	
TOLERANCES UNLESS OTHERWISE SPECIFIED: 0 PLC ± 1 PLC ±0.5 [0.02] 2 PLC ± 3 PLC ± 4 PLC ± ANGLES ±		APVD J. ELLIS 14JAN2003	NAME AMP POWER SERIES 120, MOUNTING CLAMP, 3 POLE
MATERIAL AL 2.3 [0.09] THK		FINISH -	PRODUCT SPEC APPLICATION SPEC WEIGHT SCALE 1:1 SHEET 1 OF 1 REV 0
CUSTOMER DRAWING		SIZE CAGE CODE DRAWING NO A 00779 C-647722	RESTRICTED TO