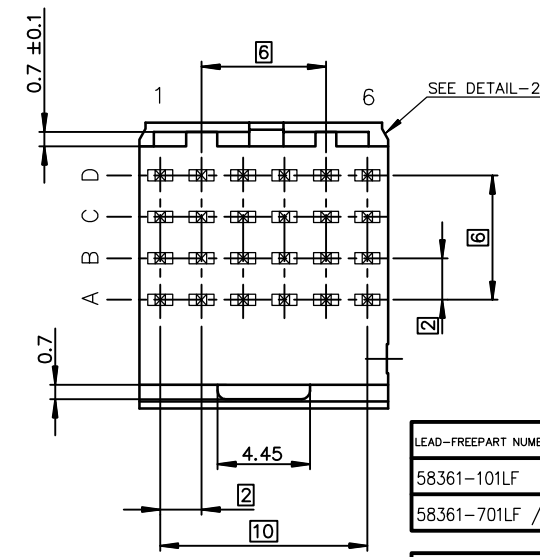
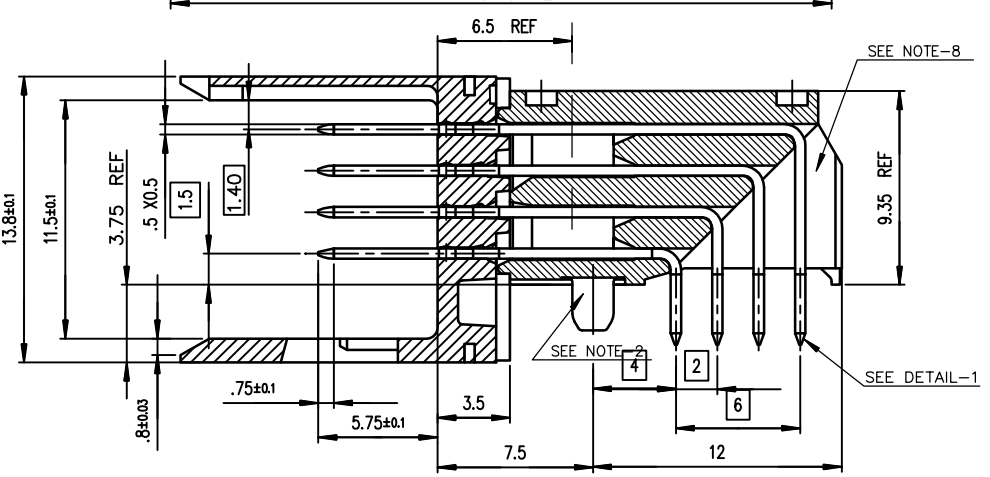
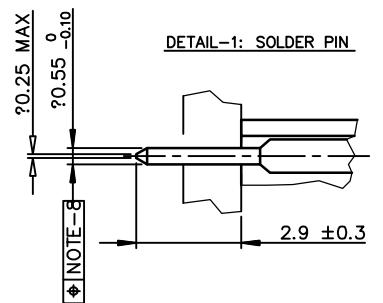
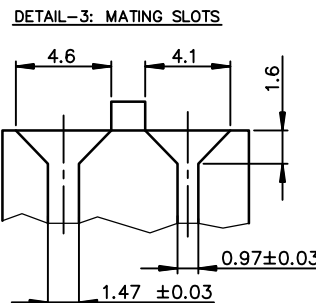
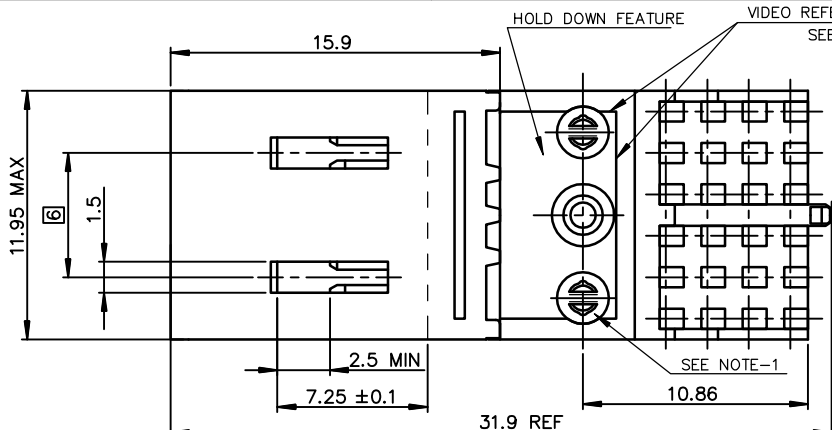
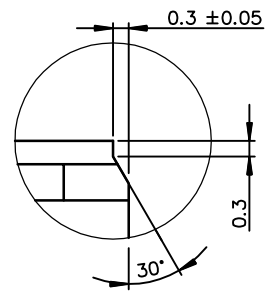




Copyright FCI



DETAIL-2: PIP CHAMFER SCALE 10/1



LEAD-FREE PART NUMBER	PERFORMANCE LEVEL
58361-101LF	STANDARD P/N, See Prod. Spec GS-12-446
58361-701LF /301LF	CUSTOMER SPECIAL, Specific Plating
LEAD-FREE PART NUMBER	PERFORMANCE LEVEL
58361-701 / 301	CUSTOMER SPECIAL, Specific Plating

GENERAL CHARACTERISTICS AND ROHS INFORMATIONS:
See Product specification : GS-12-446

- NOTE-1: SPRING PEGS WITH LOW INSERTION FORCE ?20 N PER MODULE RETENTION FORCE * 10 N PER MODULE
- NOTE-2: ONE CENTER PEG FOR LOCATING AND HOLD DOWN FORCES
- NOTE-3: USE EXISTING CABLE TO BOARD CODING KEYS
- NOTE-4: PRODUCT MARKING = PRODUCT PART NUMBER + FCI+DATE CODE
- NOTE-5: PLATING ON MATING PART , SEE PRODUCT SPEC : GS-12-446
- NOTE-6: TRUE POS CONTROL WITH GRID GAUGE ?0.65 + WEIGHT 10 N TRUE POS TOLERANCES ACCORDING TO MOUNTING RANGE = ±0.35 (X AND Y)
- NOTE-7: VIDEO REFERENCING ON LISIBLE+ACCURATE SHARP PLASTIC EDGES
- NOTE-8: CENTRAL WALL WITH END REAR SUPPORT

OTHERS INFORMATIONS, SEE DRW 58361 SHEET 2/3/4

European Views

www.fciconnect.com		surface ISO 1302	tolerance std ISO 406 ISO 1101	projection	mm
TOLERANCES UNLESS OTHERWISE SPECIFIED					
Dr	CHAMPION	2002/12/17	ANGULAR	0.X ±0.1	size A3
Eng	LENOIR	2002/12/17	LINEAR	0.XX ±0.1	Scale 4
Chr	LEGARE	2002/12/17	0.XX ±2	0.XXX ±0.1	ECN DG09-0034
Appr	LEGARE	2002/12/17	Product family	METRAL	Spec ref -
title				Rev.	
METRAL RA HDR PIP CONVERG				58361	
NB 4X6 - WITHOUT HDF				F	
catalog no				CUSTOMER sheet 1 of 4	

rev	ecn no	dr	date
A	-	CHA	2003/02/04
B	LS05-002	MLE	2005/06/13
C	LS06-0114	LGO	2006/08/09
D	LS07-0134	MLE	2007/05/11
E	DG09-0034	LUC	2009/03/06
F	DG09-0180	Cenh	2009/06/07



Copyright FCI.

A

B

C

D

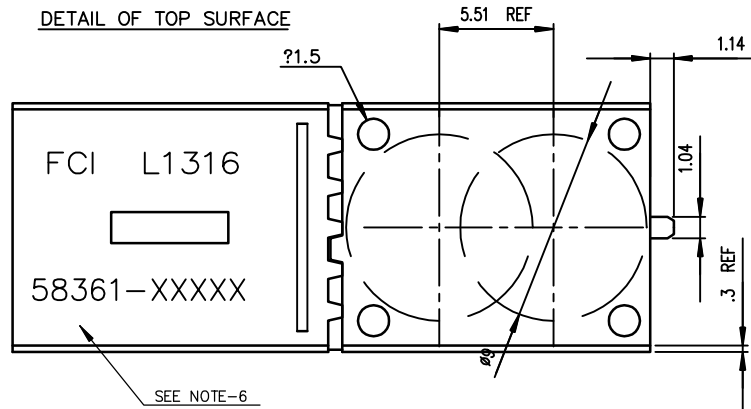
A

B

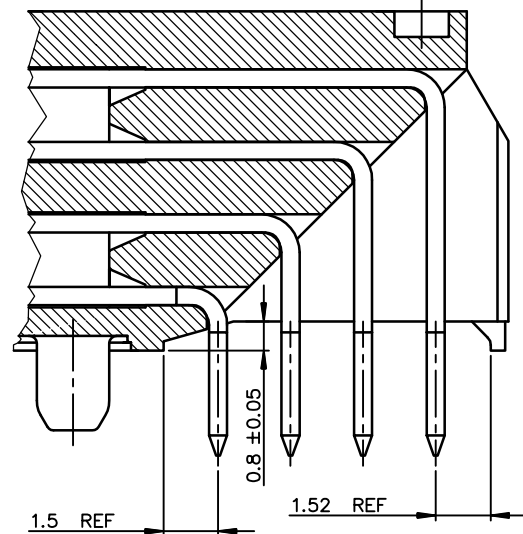
C

D

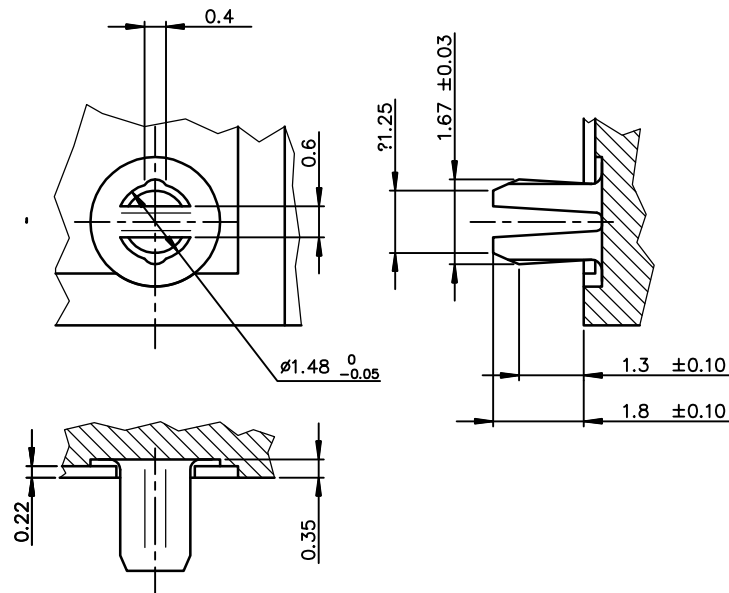
DETAIL OF TOP SURFACE



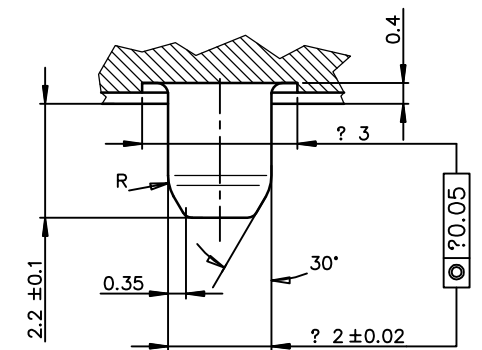
DETAIL OF STAND-OFF SCALE-7/1



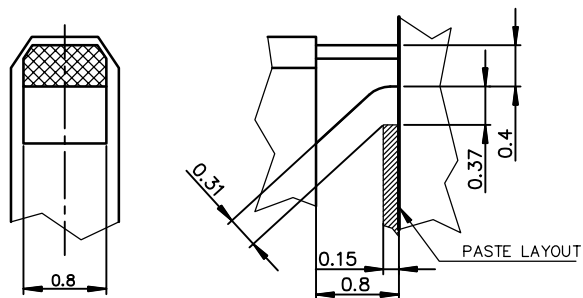
DETAIL OF RETENTION PEGS (2x) SCALE 10/1



DETAIL OF CENTRAL PEG SCALE 10/1



DETAIL OF REAR SUPPORT SCALE-20/1



OTHERS INFORMATIONS,SEE DRW 58361 SHEET 1/3/4

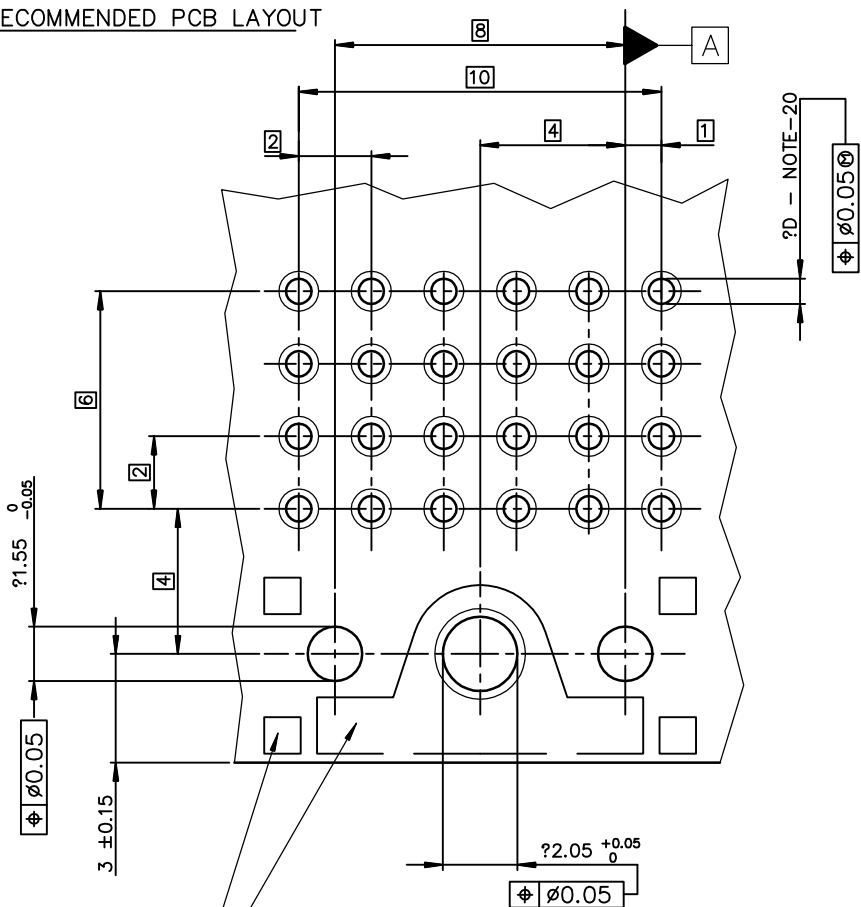
European Views

www.fciconnect.com			surface ISO 1302 ✓		tolerance std ISO 406 ISO 1101		projection mm	
TOLERANCES UNLESS OTHERWISE SPECIFIED								
Dr	CHAMPION	2002/12/17	ANGULAR	LINEAR	0.X	±0.1	size A3	Scale 4
Eng	LENOIR	2002/12/17			0.XX	±0.1		
Chr	LEGARE	2002/12/17	0.XX ±2		0.XXX	±0.1	ECN	DG09-0034
Appr	LEGARE	2002/12/17	Product family		METRAL		Spec ref -	
title METRAL RA HDR PIP CONVERG			dwg no		58361		Rev. F	
catalog no			-		CUSTOMER		sheet 2 of 4	



Copyright FCI.

RECOMMENDED PCB LAYOUT

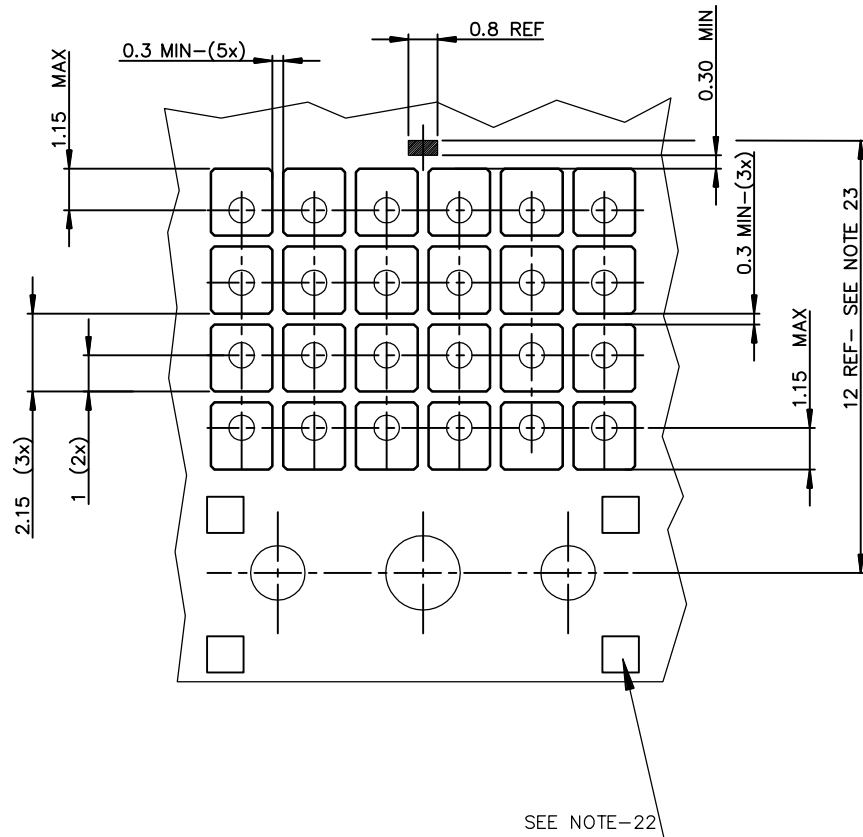


OPTIONNAL PLATING SURFACES - NOT FUNCTIONAL

NOTE-20: PTH DIMENSIONS - ?D
 - DRILL DIAMETER = (0.85 REF) and Plating
 - See Product Spec : GS-12-446

NOTE-21: 4 SQUARE REFERENCE PADS-OPTIONAL
 NOTE-22: NO PASTE ALLOWED ON 4 REFERENCE PADS
 NOTE-23: PRODUCT REAR SUPPORT LOCATION
 NOTE-24: RECOMMENDED PASTE THICKNESS = 0.15

RECOMMENDED STENCIL LAYOUT



SEE NOTE-22

OTHERS INFORMATIONS,SEE DRW 58361 SHEET 1/2/4

European Views

www.fciconnect.com		surface <input checked="" type="checkbox"/> tolerance std ISO 1302		tolerance std ISO 406 ISO 1101		projection		mm	
TOLERANCES UNLESS OTHERWISE SPECIFIED									
Dr	CHAMPION	2002/12/17	ANGULAR	LINEAR	0.X	±0.1	size A3	Scale 7	
Eng	LENOIR	2002/12/17			0.XX	±0.1			
Chr	LEGARE	2002/12/17	0.XX ±2		0.XXX	±0.1	ECN	DG09-0034	
Appr	LEGARE	2002/12/17	Product family			METRAL	Spec ref -		
		title METRAL RA HDR PIP CONVERG				dwg no 58361		Rev. F	
catalog no		-				CUSTOMER		sheet 3 of 4	



Copyright FCI.

A

B

C

D

A

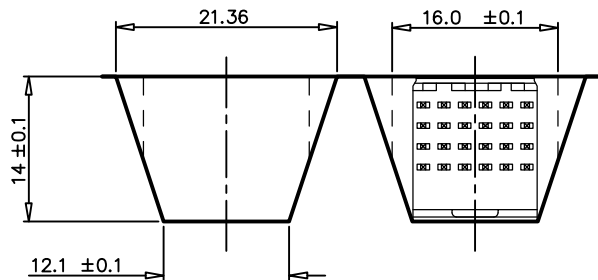
B

C

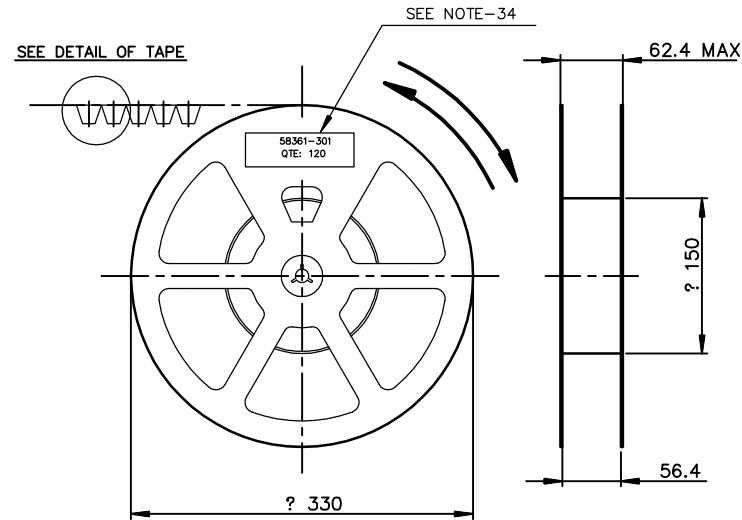
D

PACKAGING SPECIFICATION

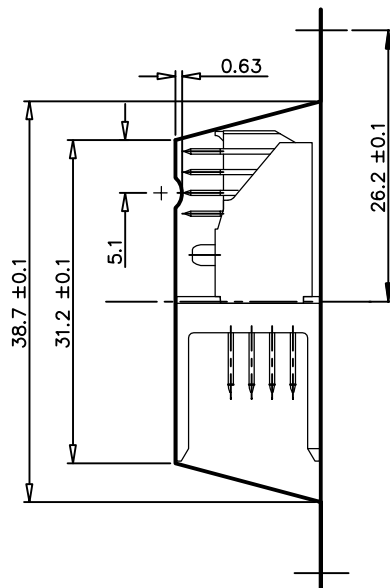
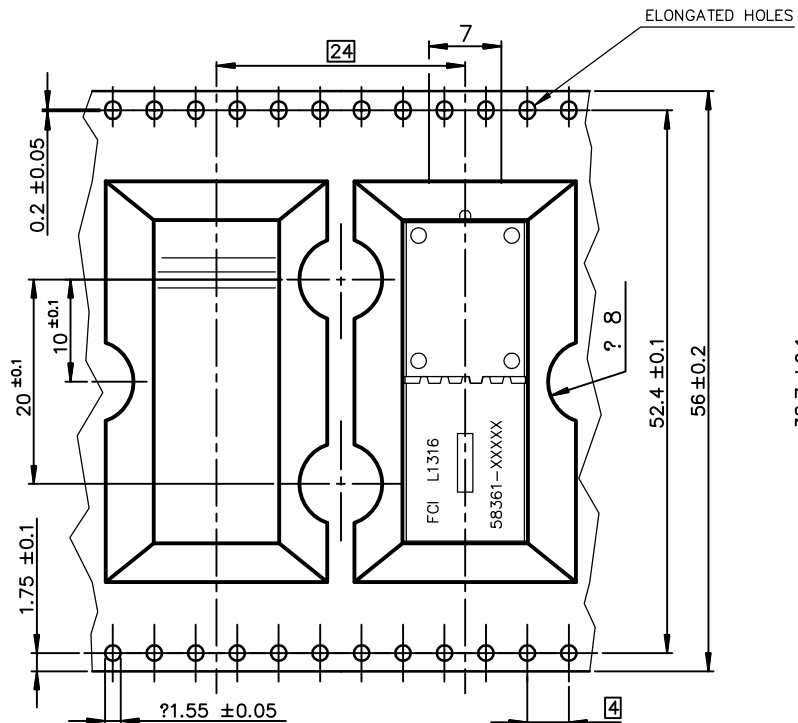
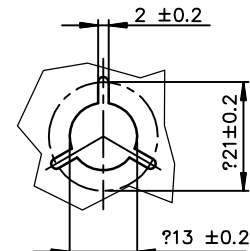
DETAIL OF TAPE SCALE 2/1



DETAIL OF REEL SCALE 1/5



DETAIL OF REEL HUB SCALE 1/1



NOTE-30: REF SPECIFICATION: EIA-481-B

NOTE-31: TAPE MATERIAL: PVC ANTISTATIC

SURFACE RESISTIVITY ? 10 OHMS/SQUARE AFTER HEAT FORMING
CARRIER P/N: 10097632-002 COVER TAPE P/N:10097632-003

PACKAGING MATERIAL DETAIL INFORMATION PLEASE REFER TO DRAWING OF 10097632

- QTY PER REEL(P/N:10097632-001) = 120 PCS

- QTY PER BOX (P/N:10097632-004) = 6 REELS = 720 PCS

NOTE-33: LABEL FOR IDENTIFICATION: PART NUMBER,DATE-CODE,TRACABILITY INFORMATIONS

NOTE-34: RECYCLABLE MATERIAL FOR REEL + ANTISTATIC TREATMENT

OTHERS INFORMATIONS,SEE DRW 58361 SHEET 1/2/3

European Views

www.fciconnect.com		surface ISO 1302 ✓	tolerance std ISO 406 ISO 1101	projection A3	mm
TOLERANCES UNLESS OTHERWISE SPECIFIED					
Dr	CHAMPION	2002/12/17	ANGULAR	0.X	±0.1
Eng	LENOIR	2002/12/17	LINEAR	0.XX	±0.1
Chr	LEGARE	2002/12/17	0.XX ±2	0.XXX	±0.1
Appr	LEGARE	2002/12/17	Product family	METRAL	Spec ref -
title METRAL RA HDR NB CONVERG		dwg no 58361		Rev. F	
catalog no		-		CUSTOMER sheet 4 of 4	