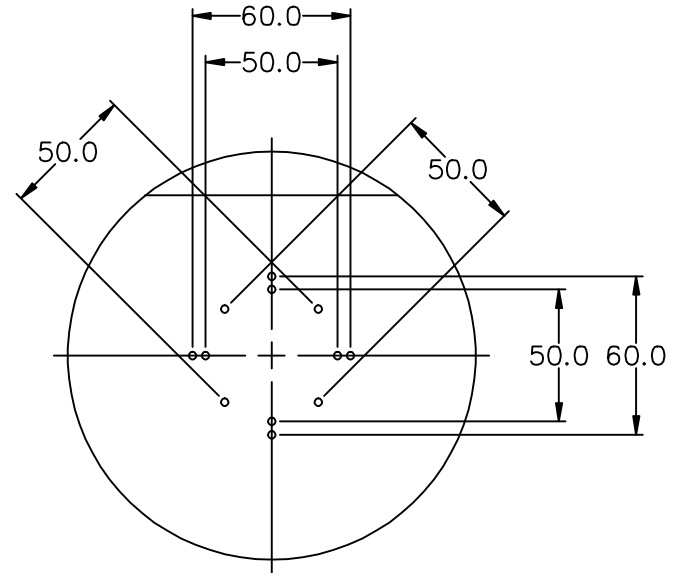
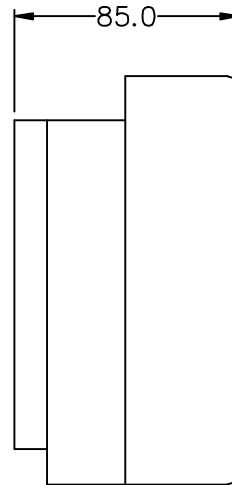
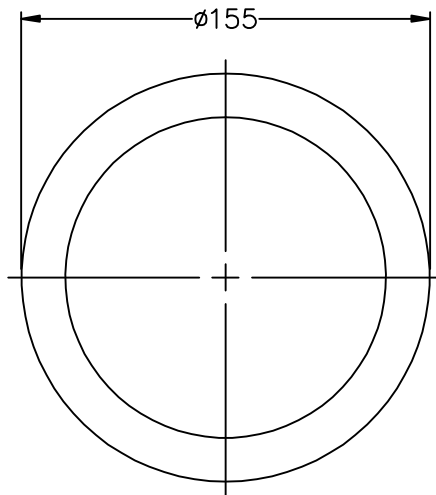


THIS DOCUMENT CONTAINS DATA PROPRIETARY TO PROJECTS UNLIMITED, INC. ANY USE OR REPRODUCTION, IN ANY FORM, WITHOUT PRIOR WRITTEN PERMISSION OF PROJECTS UNLIMITED, INC. IS PROHIBITED.
 ©2005, Projects Unlimited Inc.

SPECIFICATIONS

PARAMETERS	VALUES	UNITS
RATED VOLTAGE	24	Vdc
OPERATING VOLTAGE RANGE	18 ~ 30	Vdc
CURRENT CONSUMPTION	30	mA
SOUND OUTPUT (TYPICAL)	93 ~ 95	dBA
INGRESS PROTECTION	IP55	-
GONG COLOR	RED	-
OPERATING TEMPERATURE	-10 ~ +55	°C
BASE MATERIAL	POLYCARBONATE	-
GONG MATERIAL	110	grams
WEIGHT	110	grams



REVISIONS

LTR	DESCRIPTION	DATE	APPROVED
-	RELEASED FROM ENGINEERING	12/16/05	
A	ADDED RoHS NOTE	5/22/07	R.W.

NOTES:

1. ALL DIMENSIONS ARE IN MILLIMETERS.
2. SPECIFICATION SUBJECT TO CHANGE OR WITHDRAWAL WITHOUT NOTICE
3. THIS PART IS RoHS 2002/95/EC COMPLIANT.

FILE NAME
 AWB-25R6-24.DWG

UNLESS OTHERWISE SPECIFIED:
 DIMENSIONS ARE IN MILLIMETERS, TOLERANCES ARE ±0.5 AND ANGLES ARE ±3°.

APPROVALS	DATE
DRAWN J.A.F.	12/05
CHECKED E.P.	12/05
APPROVED B.R.	12/05



Dayton, Ohio

BELL

SIZE
 A

DRAWING NO.
 AWB-25R6-24

DO NOT SCALE DRAWING

SCALE: N.T.S.

SHEET 1 OF 1