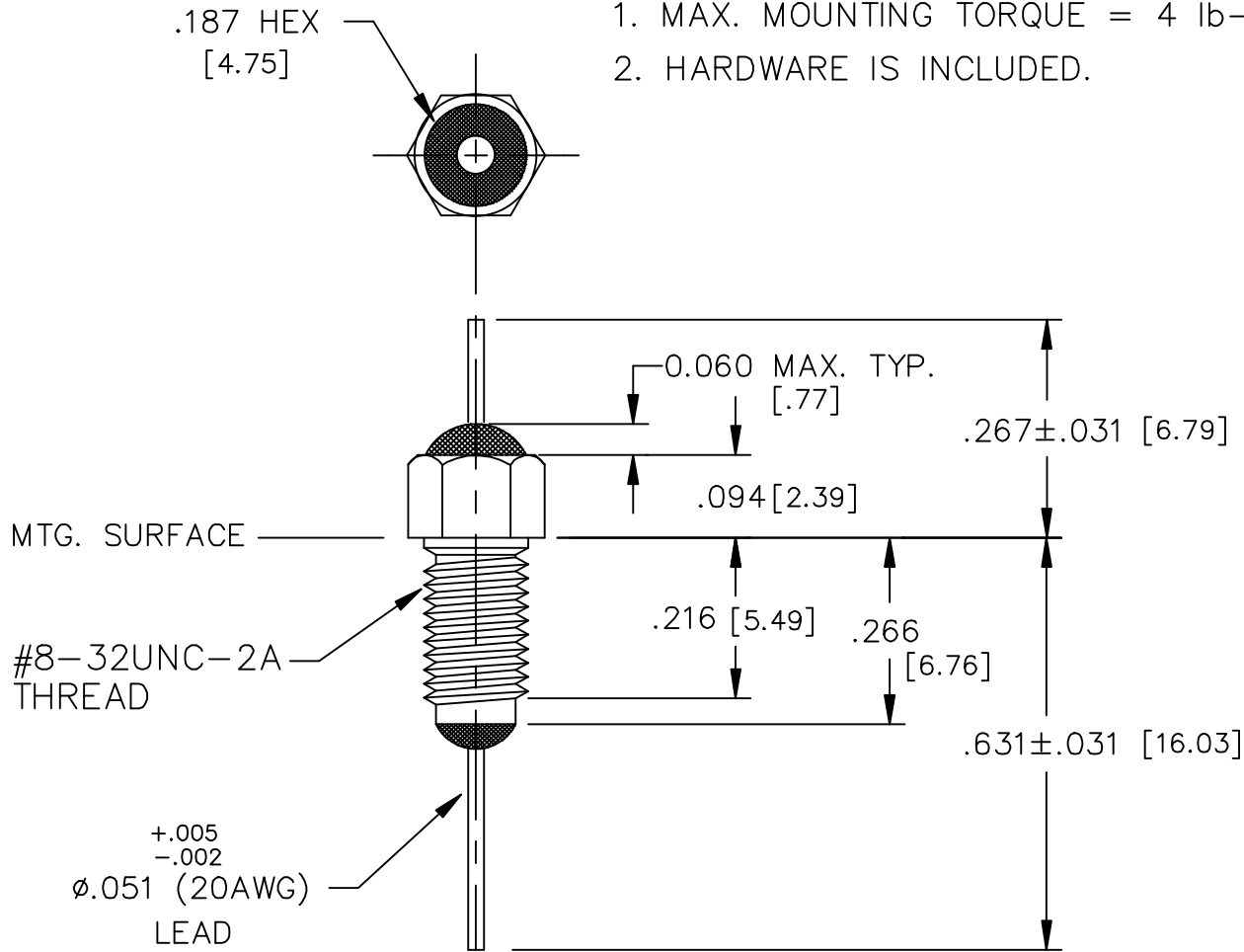
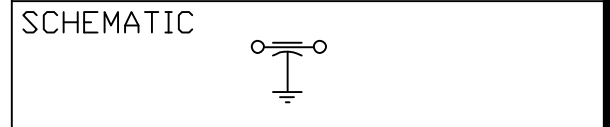


NOTES:

1. MAX. MOUNTING TORQUE = 4 lb-in.
2. HARDWARE IS INCLUDED.



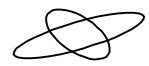
LEAD FINISH: SOLDER	
BUSHING FINISH: SILVER	
CAPACITANCE	100pF±20%
TEMP. RANGE	-55°C TO 85°C
CURRENT	20 AMP MAX.
WORKING VOLTAGE	125°C 300 VDC -----
D.C. RESISTANCE	.01ohms MAX.
MIN. I.L. PER MIL-STD-220 AT 25°C NO LOAD	
FREQ. MHz	I.L. (db)




MARKING:

PART: S 101M
 BAG PACK:
 54713001X5F101M
 DATE CODE
 QTY./BAG
 (200/BAG MAX.)

	5	4	3	2	1	0	REV. NO.	TOLERANCES UNLESS OTHERWISE SPECIFIED
	CN 68271-ENG	CN 194600	CN 189889	CN 188553	CN 186692	CN 185033	CHANGE NOTICE	Fractions ± 1/64
								Dec. .xx±
								Dec. .xxx±.010
								Angles ±0° 30'
								CODE IDENT. NO. DLSP2

api  FAIRVIEW PENNSYLVANIA
 technologies corp.

Dwn. SLAGLE	Description FT 
DATE 4-09-13	RESIN SEAL FILTER
Engr. M.McAlevy	54713001X5F101M
Scale NONE	