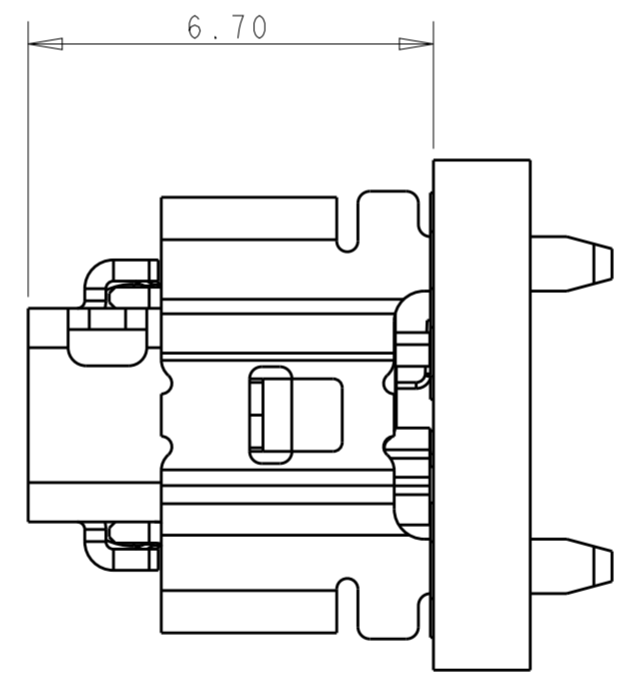
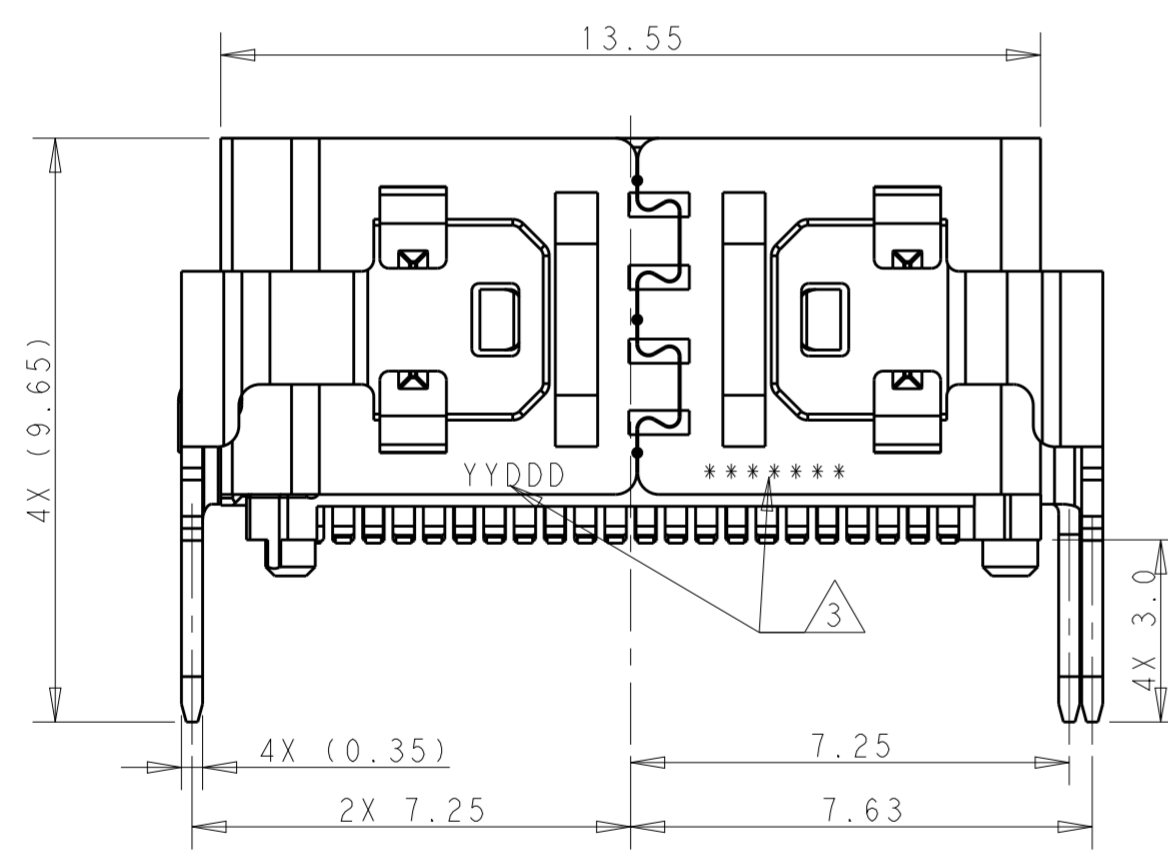
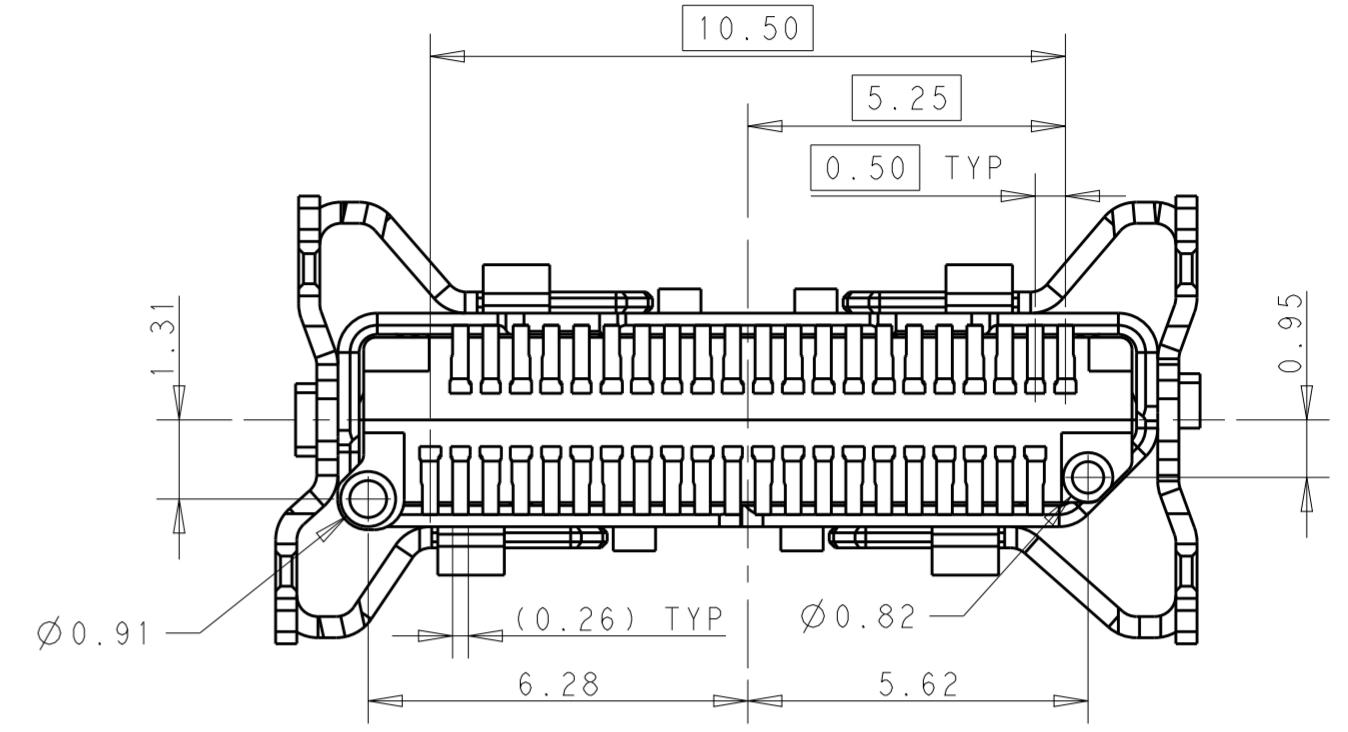
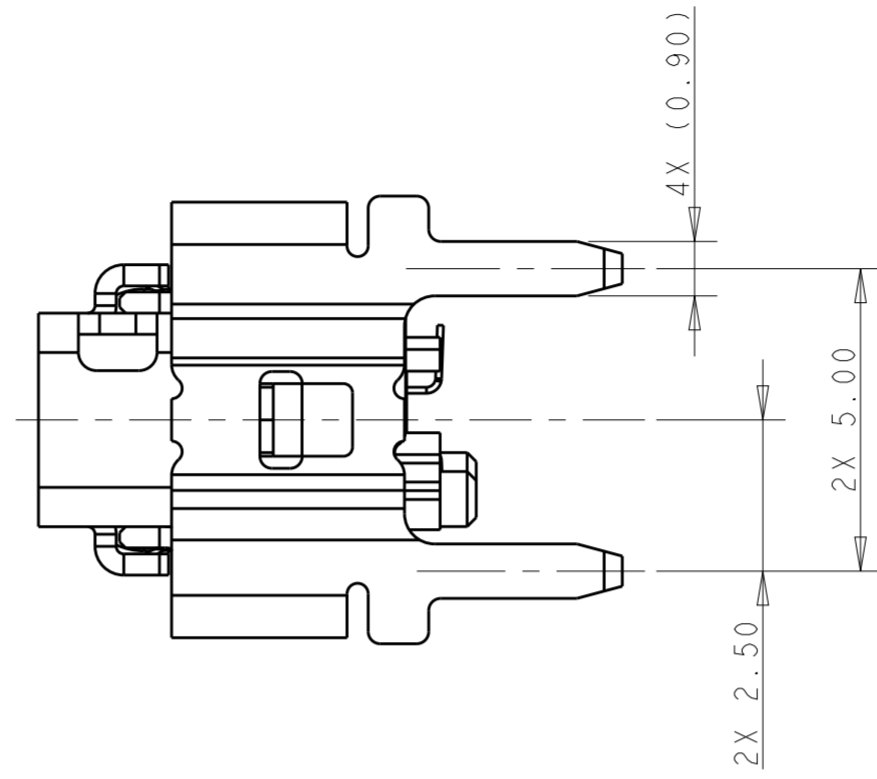
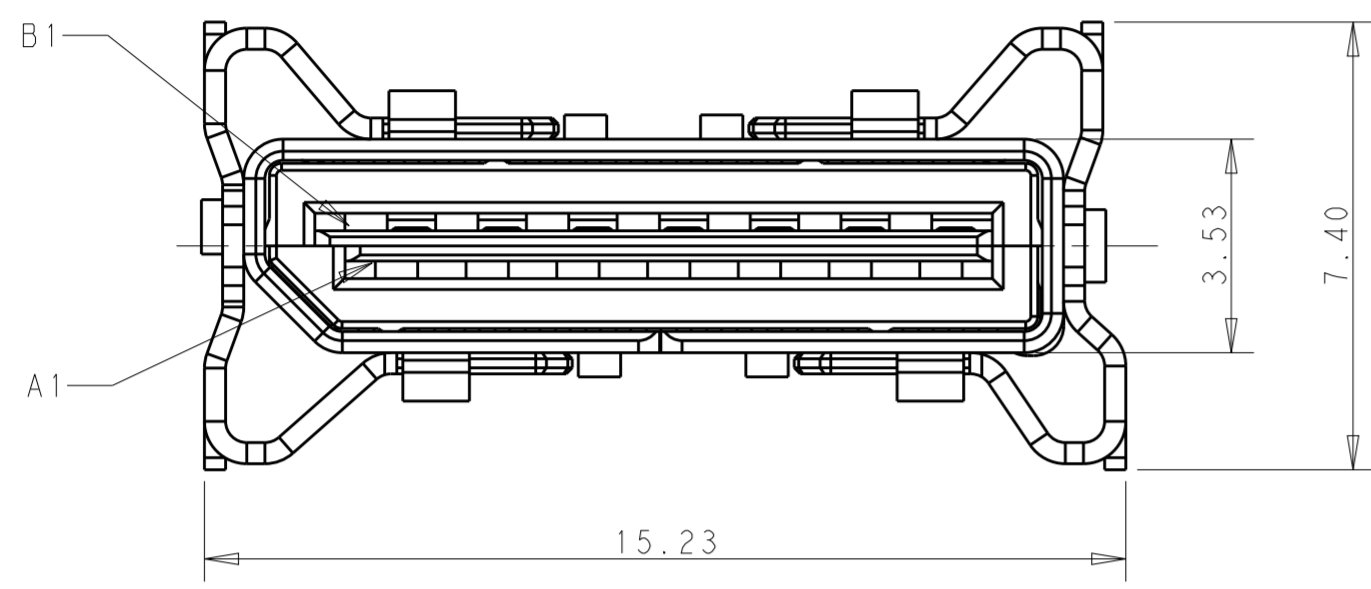


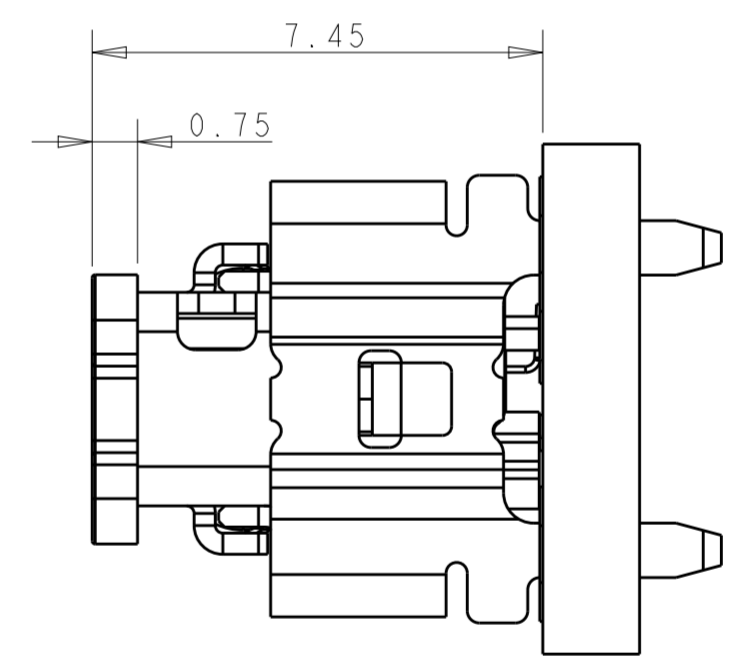
THIS DRAWING IS UNPUBLISHED. RELEASED FOR PUBLICATION 20
 © COPYRIGHT 20 BY - ALL RIGHTS RESERVED.

REVISIONS				
P	LTR	DESCRIPTION	DATE	APVD
A		INITIAL RELEASE	14NOV2017	AJ SH



SCALE 8:1

W/O CAP AS SHOWN



SCALE 8:1

W/ CAP AS SHOWN

NOTES:

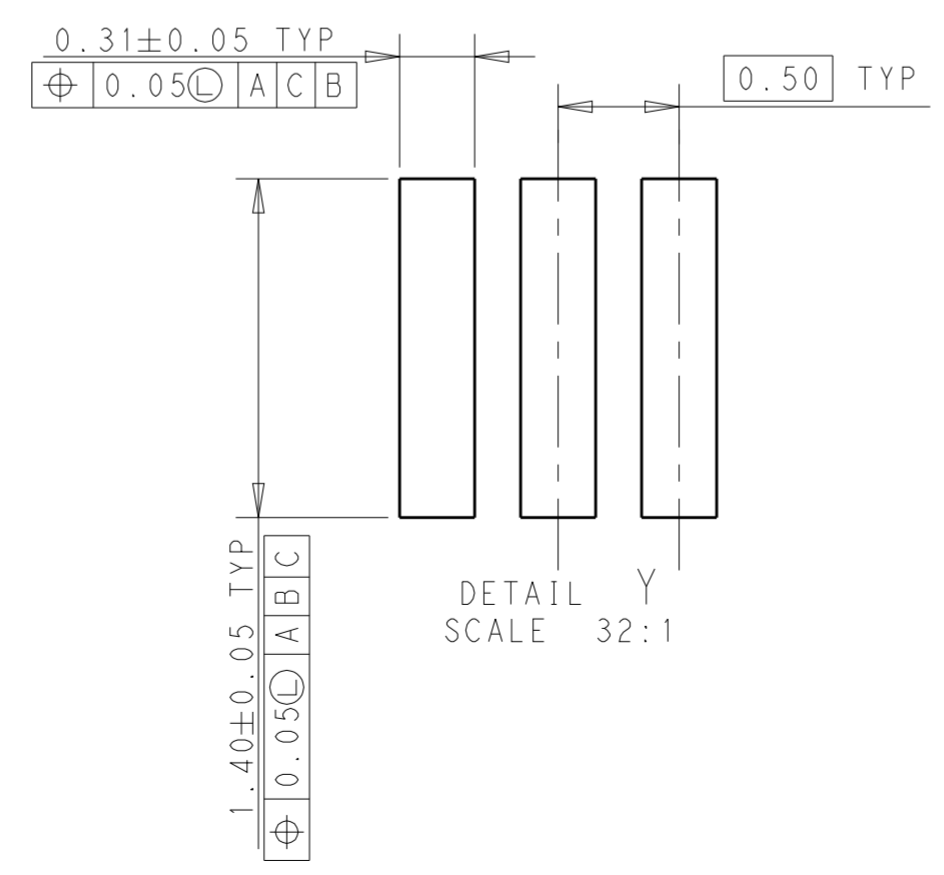
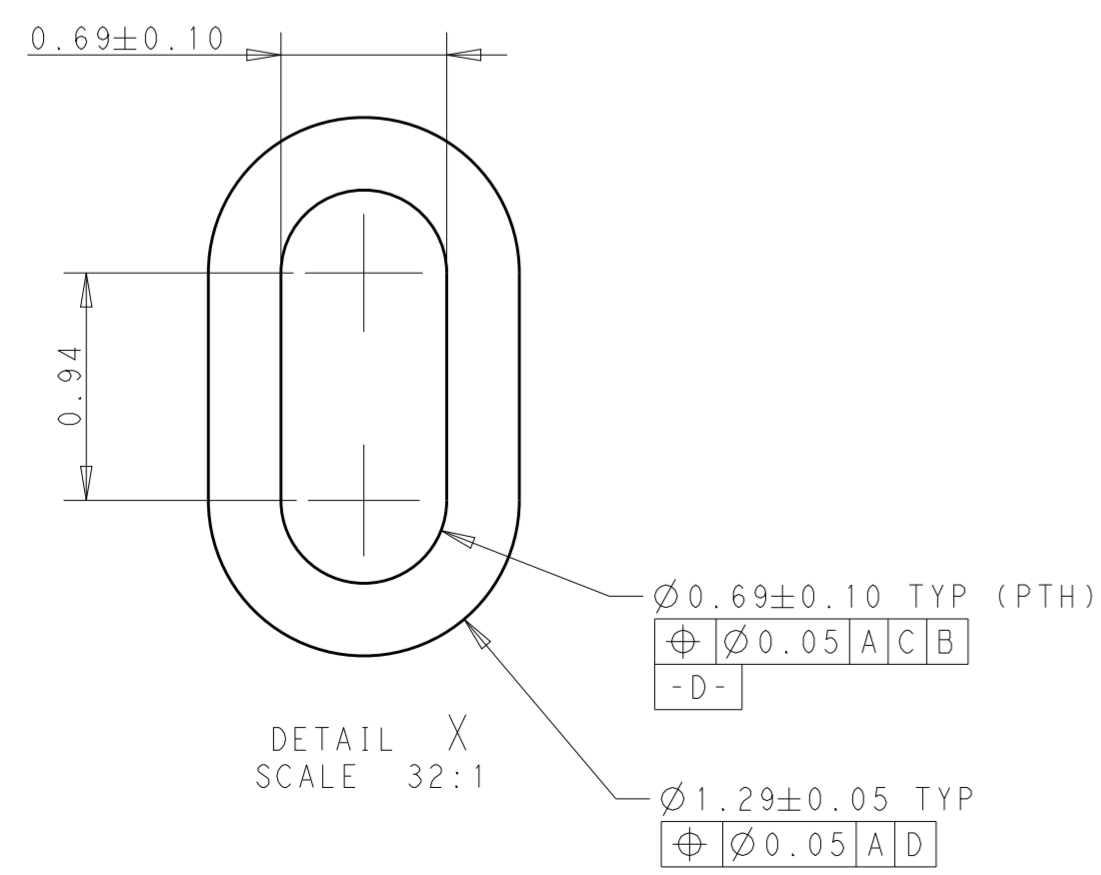
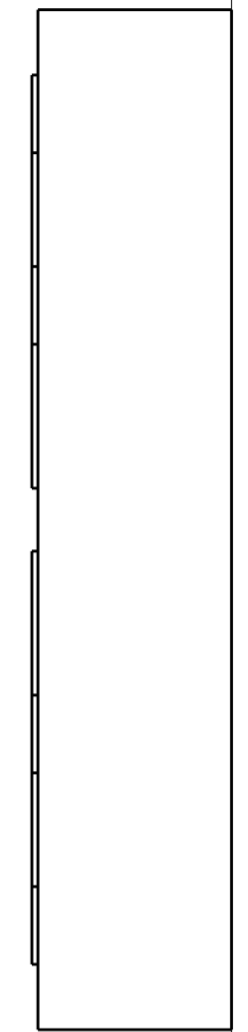
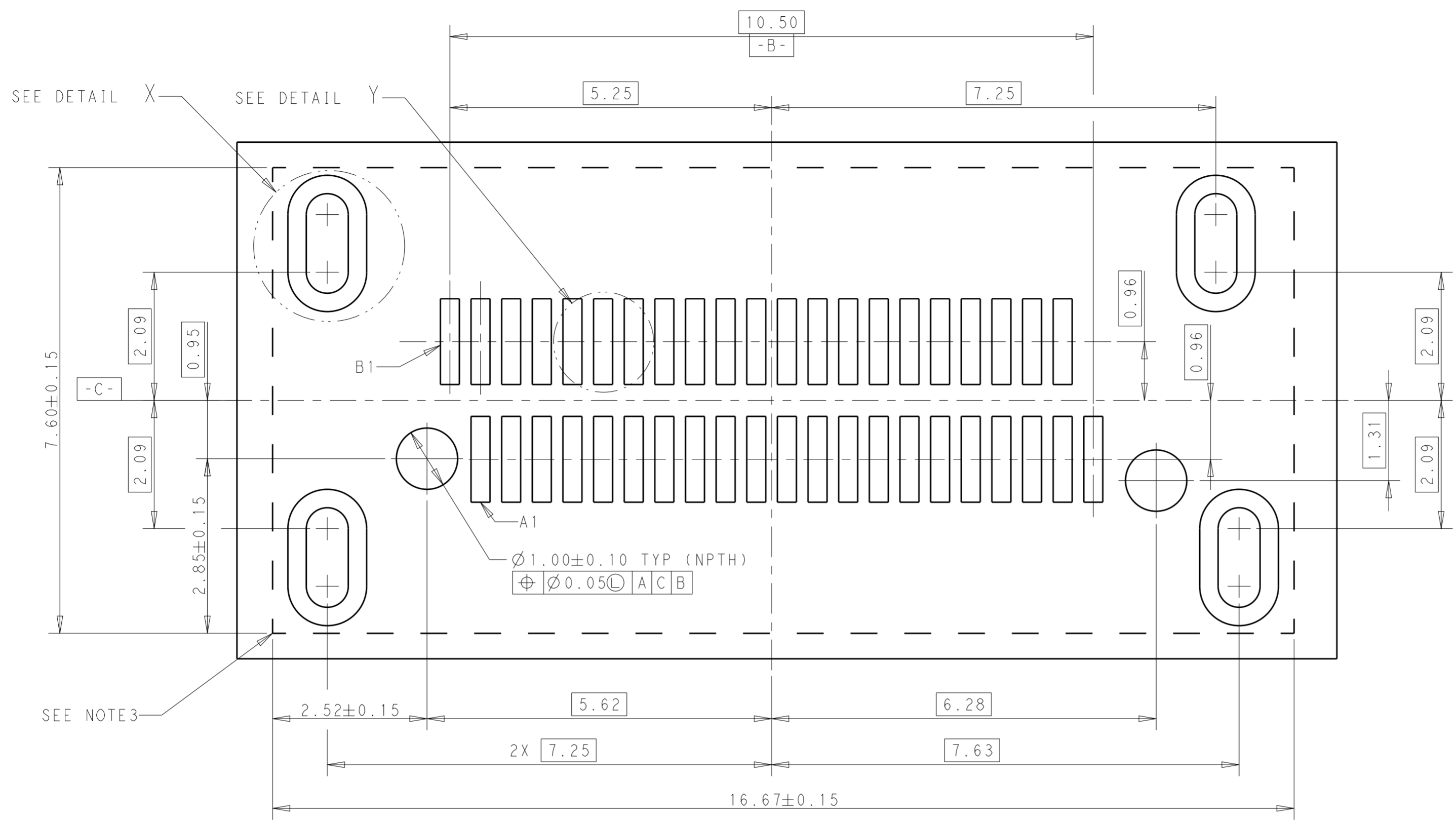
- MATERIALS:
 HOUSING - GLASS FILLED THERMOPLASTIC, 94V-0
 CONTACT - HIGH PERFORMANCE COPPER ALLOY
 SHIELD - STAINLESS STEEL
- FINISH:
 CONTACTS - 0.76um MIN. GOLD ON MATING SIDE
 2.03um MIN. TIN ON SOLDER TAILS
 1.27um MIN. NICKEL UNDERPLATE OVERALL
 SHIELD - MATTE TIN OVER 1.27um MIN. NICKEL
- PART NUMBER AND DATE CODE MARKED IN APPROXIMATE AREA SHOWN
- SOLDER TAIL COPLANARITY IS 0.10 MAX.

2312741-1
 PART NUMBER

THIS DRAWING IS A CONTROLLED DOCUMENT.		DWN ARTHUR JIN 06DEC2016	TE Connectivity															
DIMENSIONS: mm		CHK SEAN HAN 08DEC2016																
TOLERANCES UNLESS OTHERWISE SPECIFIED:		APVD SEAN HAN 08DEC2016	NAME NPIO 42CKT ASSEMBLY XD VERTICAL RECEPTACLE															
<table border="0"> <tr><td>0 PLC</td><td>±</td></tr> <tr><td>1 PLC</td><td>±0.25</td></tr> <tr><td>2 PLC</td><td>±0.15</td></tr> <tr><td>3 PLC</td><td>±</td></tr> <tr><td>4 PLC</td><td>±</td></tr> <tr><td>ANGLES</td><td>±</td></tr> <tr><td>FINISH</td><td>±</td></tr> </table>		0 PLC	±	1 PLC	±0.25	2 PLC	±0.15	3 PLC	±	4 PLC	±	ANGLES	±	FINISH	±	PRODUCT SPEC 108-60118	SIZE A2	
0 PLC	±																	
1 PLC	±0.25																	
2 PLC	±0.15																	
3 PLC	±																	
4 PLC	±																	
ANGLES	±																	
FINISH	±																	
MATERIAL SEE NOTES		APPLICATION SPEC 114-60024	CAGE CODE -	DRAWING NO G-2312741														
-		WEIGHT -	RESTRICTED TO -	SCALE 5:1 SHEET 1 OF 2 REV A														
CUSTOMER DRAWING																		

THIS DRAWING IS UNPUBLISHED. RELEASED FOR PUBLICATION 20
 © COPYRIGHT 20 BY - ALL RIGHTS RESERVED.

REVISIONS				
P	LTR	DESCRIPTION	DATE	APVD
		SEE SHEET 1		



- NOTES:
 1. MINIMUM RECOMMENDED SPACING IS 26.75mm
 2. MINIMUM RECOMMENDED PCB THICKNESS: 1.57mm
 3. CONNECTOR KEEP OUT AREA
 4. DATUM-A- ESTABLISHED FROM TOP SURFACE OF PCB

THIS DRAWING IS A CONTROLLED DOCUMENT.		DWN 06DEC2016 ARTHUR JIN	TE Connectivity	
DIMENSIONS: mm		CHK 08DEC2016 SEAN HAN		
TOLERANCES UNLESS OTHERWISE SPECIFIED:		APVD 08DEC2016 SEAN HAN	NAME NPIO 42CKT ASSEMBLY XD VERTICAL RECEPTACLE	
0 PLC ± 1 PLC ±0.25 2 PLC ±0.15 3 PLC ± 4 PLC ±		PRODUCT SPEC 108-60118	SIZE A2	
MATERIAL SEE NOTES		APPLICATION SPEC 114-60024	CAGE CODE -	DRAWING NO C-2312741
FINISH SEE NOTES		WEIGHT -	RESTRICTED TO -	SCALE 5:1
		CUSTOMER DRAWING	SHEET 2 OF 2	REV A