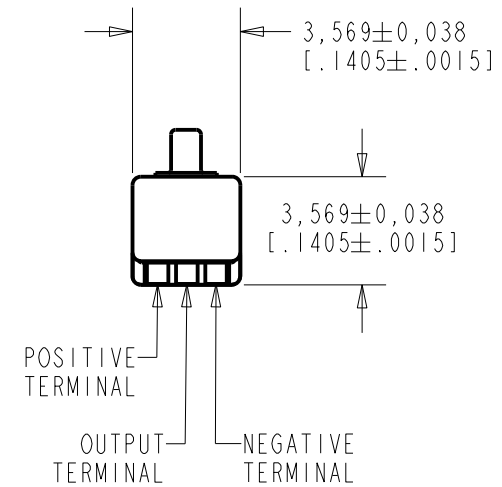
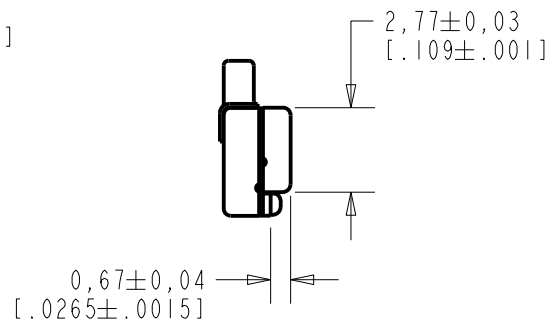
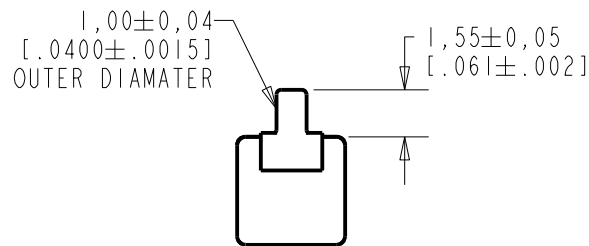
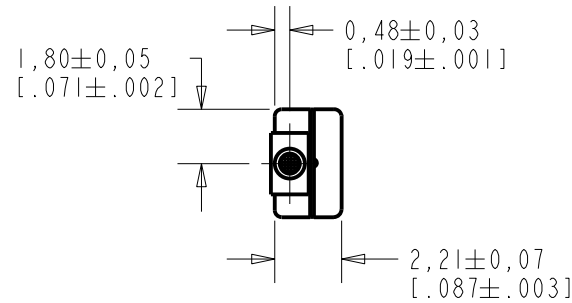


EM-27012-000
SHT 1.1

NOTE:

- INCREASED PRESSURE AT SOUND INLET CAUSES A POSITIVE GOING VOLTAGE TO APPEAR AT THE OUTPUT TERMINAL, RELATIVE TO THE NEGATIVE TERMINAL.



NOMINAL WEIGHT
.08 GRAMS

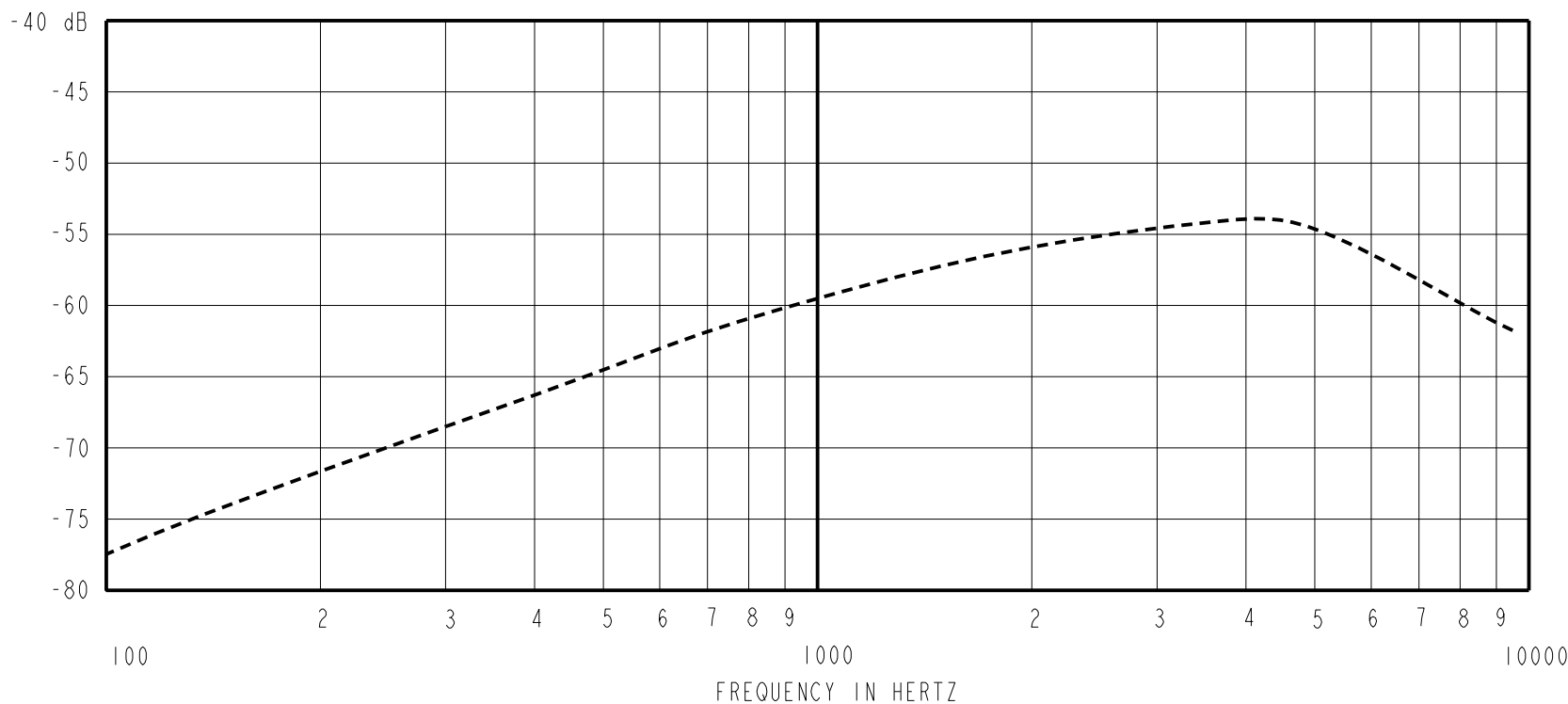
DIMENSIONS IN MILLIMETERS [INCHES]

Revision	C.O. #	Implementation Date	RELEASE LEVEL	REVISION
			Active	D
D	MI0105775	12-3-14		

SCALE: 4:1		DR. BY: LSY	DATE: 1-18-07
DO NOT SCALE DRAWING		CK. BY: GJP	DATE: 1-26-07
TITLE: MICROPHONE	EM-27012-000	APP. BY: GJP	DATE: 1-26-07
OUTLINE DRAWING		SHT 1.1	

KNOWLES ELECTRONICS
ITASCA, ILLINOIS U.S.A.

SENSITIVITY IN dB RELATIVE TO 1.0 VOLT/0.1 Pa (N/M²)
FOR CONDITIONS SHOWN BELOW.



FREQUENCY	SENSITIVITY			DEVICE CONFORMITY	
	MIN.	NOM.	MAX.	RANGE OF DEVIATION FROM 1KHz	
300	---	-68.5	---	-10.5	-7.5
1000	-63.5	-59.5	-55.0	0.0	0.0
≈ 4500	---	-54.0	---	+1.5	+9.5

NOTES:

1. CASE CONNECTED TO NEGATIVE TERMINAL.
2. MICROPHONE TO BE FUNCTIONAL WITH 10 VDC SUPPLY.
3. TYPICAL SENSITIVITY TO HUMIDITY AT 1000Hz IS 0.06 dB/%RH
4. SENSITIVITY AND NOISE VALUES INDICATED ON THIS SPECIFICATION ARE VALID AT 50% HUMIDITY.

PORT LOCATION	DC SUPPLY	AMPLIFIER CURRENT DRAIN	SENSITIVITY CHANGE ON REDUCING SUPPLY TO 0.9VDC	"A" WEIGHTED NOISE (RE 1 VOLT)	OUTPUT IMPEDANCE OHMS		
					MIN.	NOM.	MAX.
12B	1.3V	50 μA MAX.	3 dB MAX.	-97.0 dB MAX.	2800	4400	6800

Revision	C.O. #	Implementation Date	RELEASE LEVEL	REVISION
			Active	D
D	MI0105775	12-3-14		
WHEN TEST LIMITS ARE USED TO ESTABLISH INCOMING INSPECTION ACCEPTANCE/REJECTION CRITERIA, CORRELATION OF TEST EQUIPMENT WITH KNOWLES IS ALSO REQUIRED FOR ELIMINATION OF EQUIPMENT AND TEST METHOD VARIATION				
TITLE: MICROPHONE		EM-27012-000		DR. BY DATE
PERFORMANCE SPECIFICATION		SHT 2.1		LSY 1-18-07
				CK. BY DATE
				GJP 1-26-07
				APP. BY DATE
				GJP 1-26-07

KNOWLES ELECTRONICS
ITASCA, ILLINOIS U.S.A.