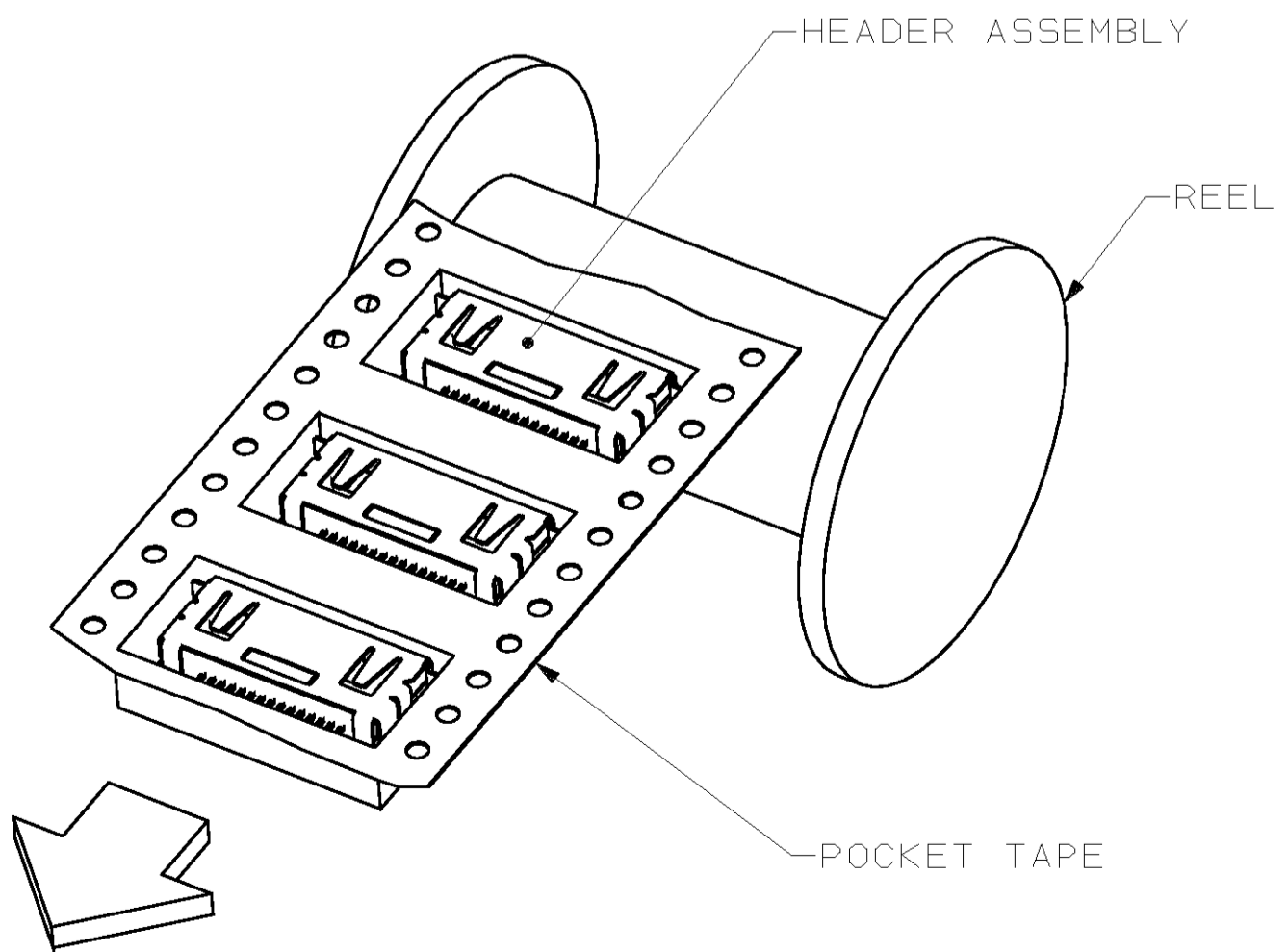
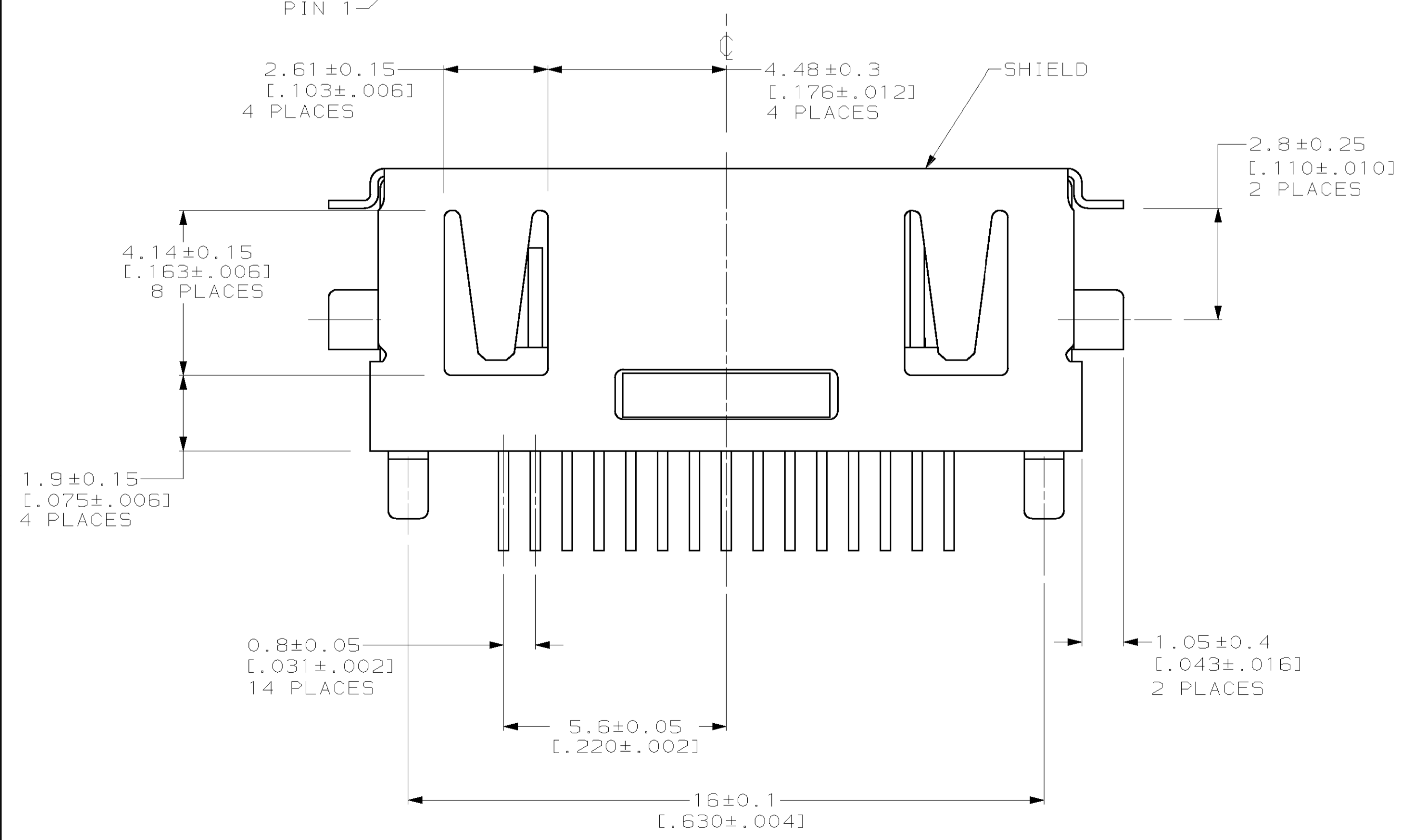
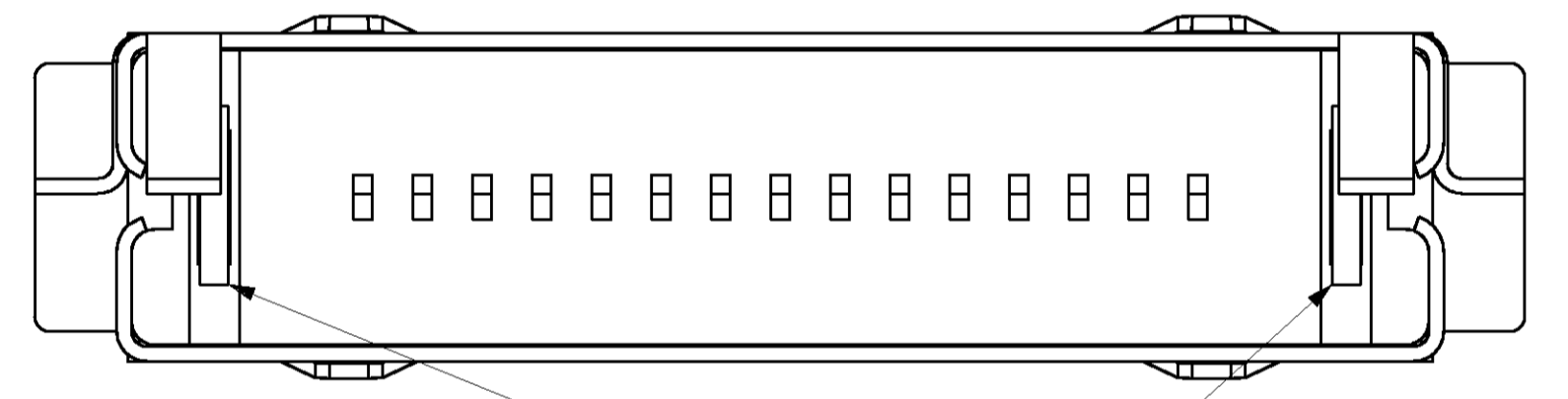
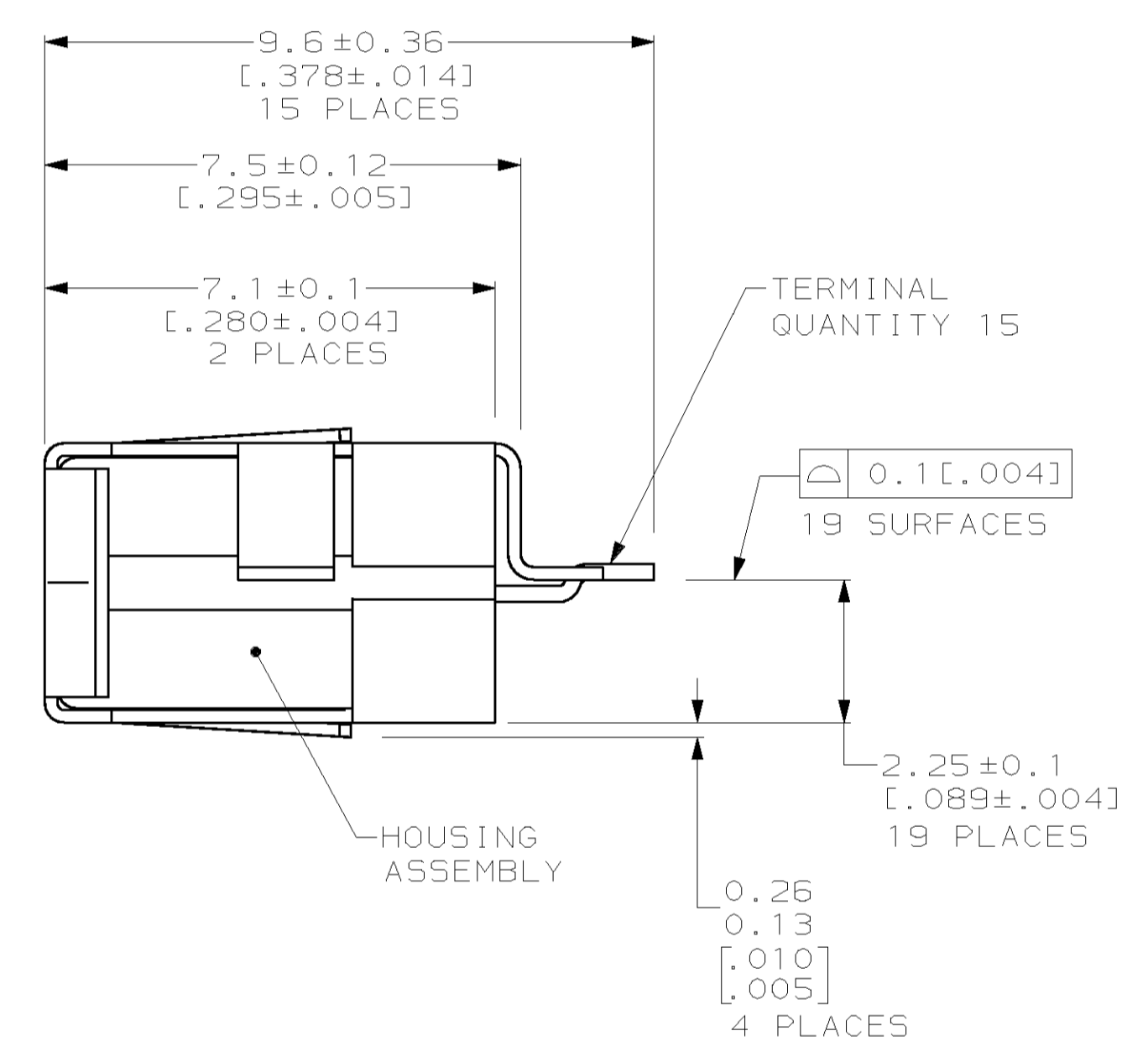
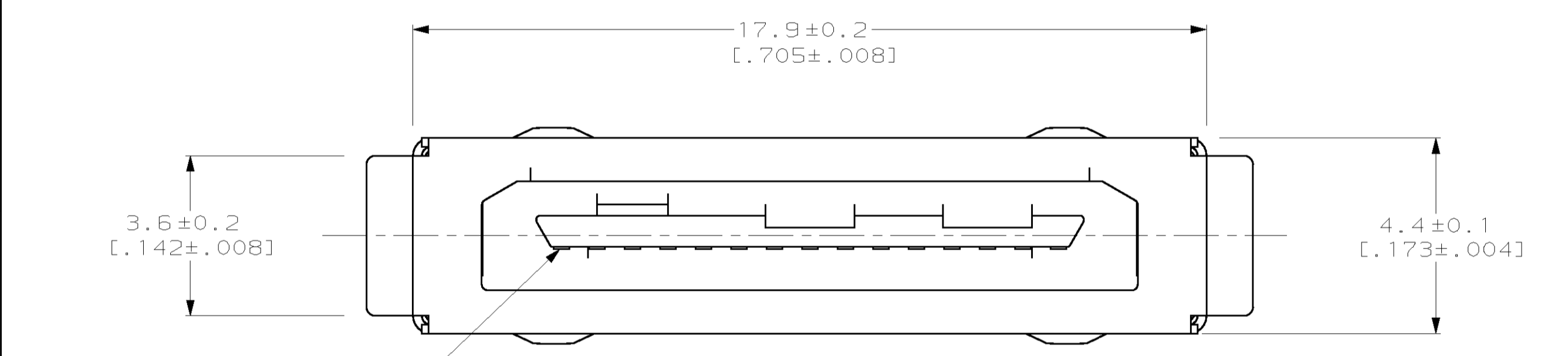
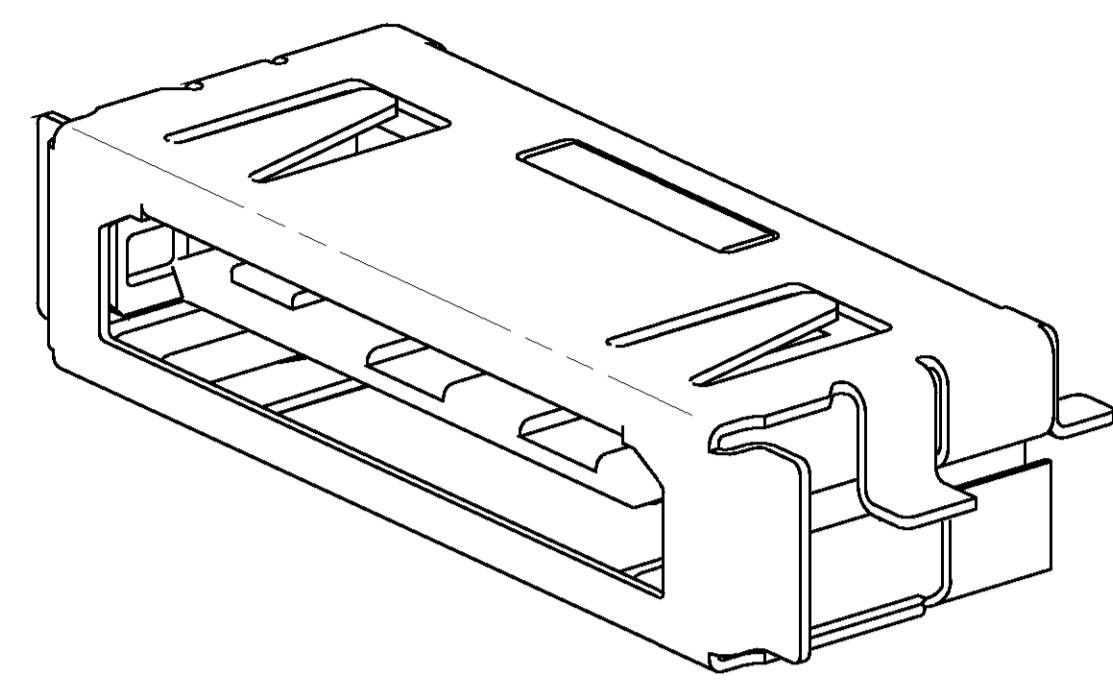
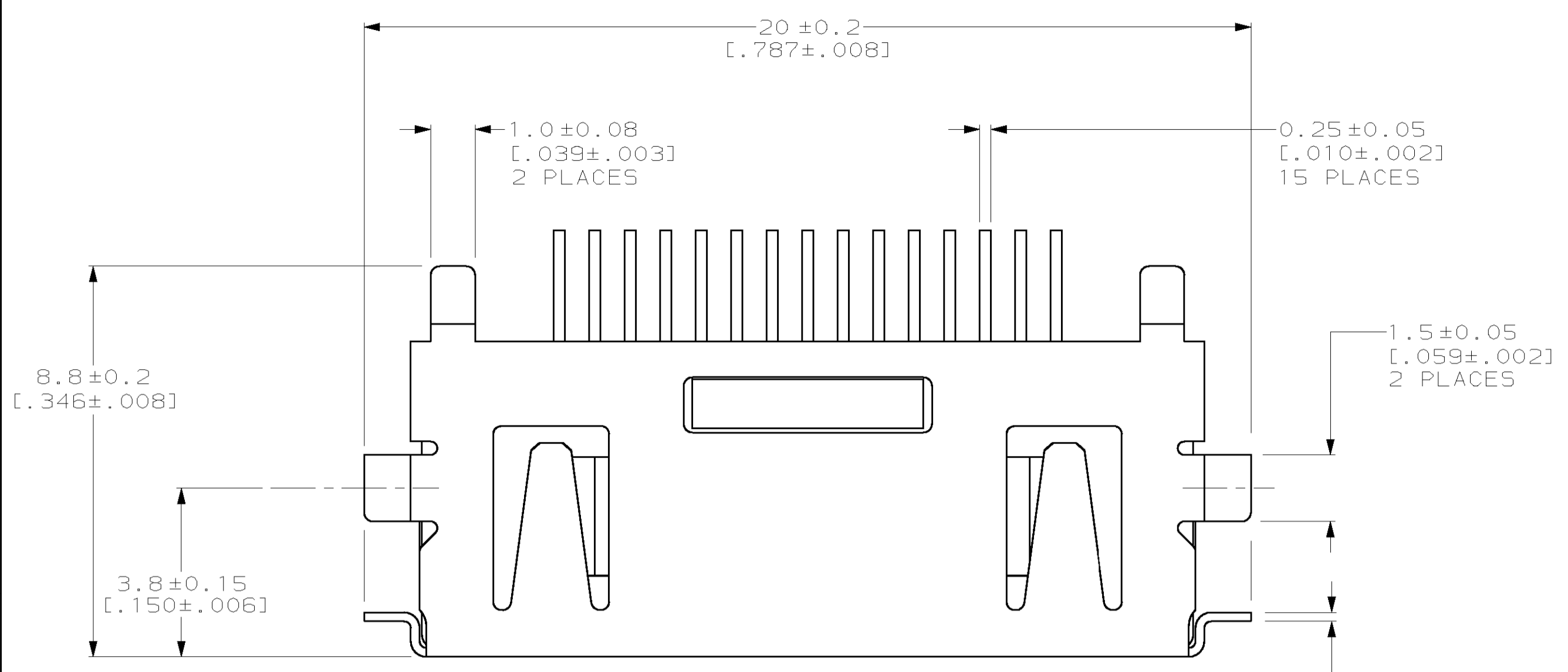


LOC	DIST	REV	DATE	BY	APPV
AA	23	C	07OCT99	DD	MP

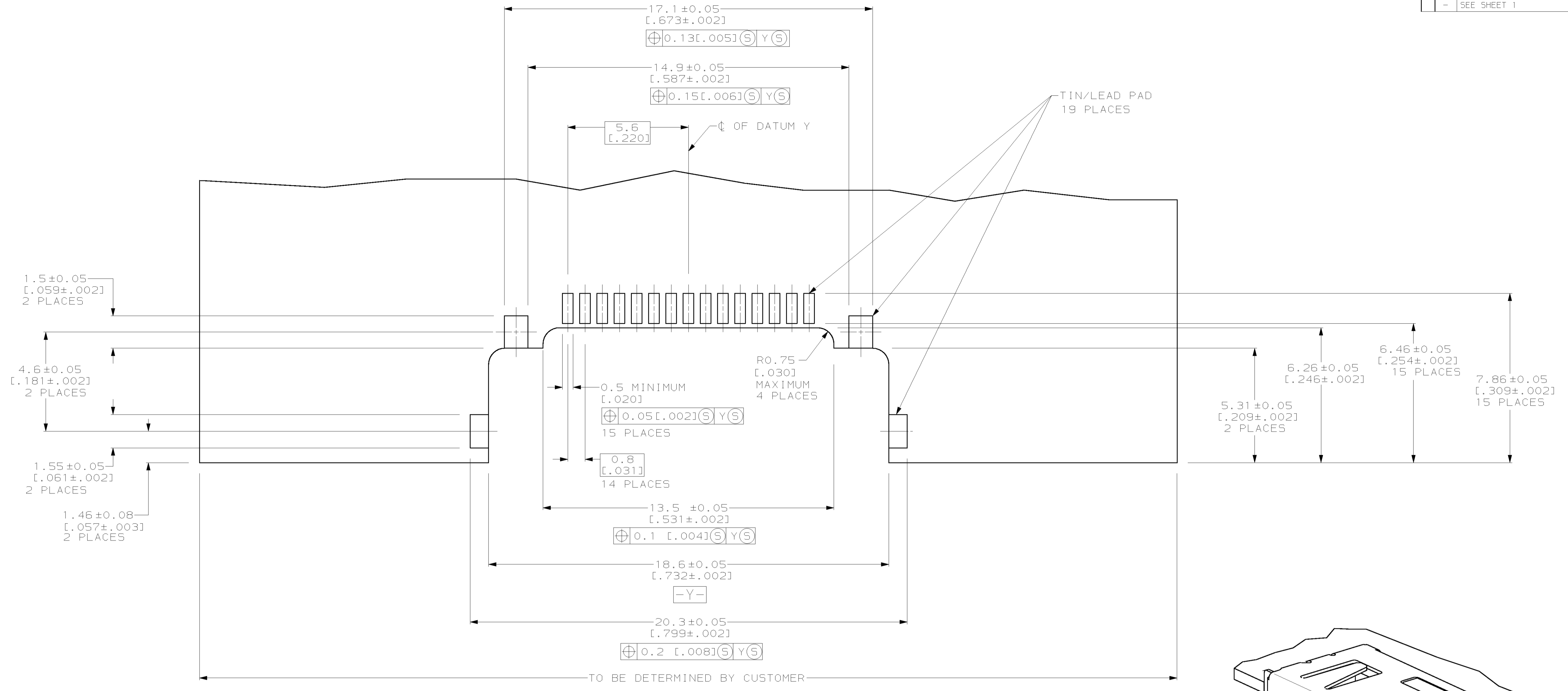
REVISIONS

△ MATERIAL: HOUSING - NYLON MOLDING COMPOUND, 94V-0, GLASS FILLED, BLACK.
 TERMINALS - 0.25[.010] THICK BRASS PLATED WITH 0.254 MICRONS[.000010] MINIMUM THICK GOLD OVER 1.016 MICRONS [.000040] MINIMUM THICK PALADIUM NICKEL OVER 0.05 MICRONS[.000002] MINIMUM THICK GOLD IN CONTACT AREAS AND 3.8 MICRONS[.000150] MINIMUM THICK TIN-LEAD ON SOLDER TINES OVER 2.54 MICRONS[.000100] MINIMUM THICK NICKEL UNDERPLATE.
 SHIELD - STAINLESS STEEL, TIN-LEAD PLATED
 STRIKER PLATE - STAINLESS STEEL.

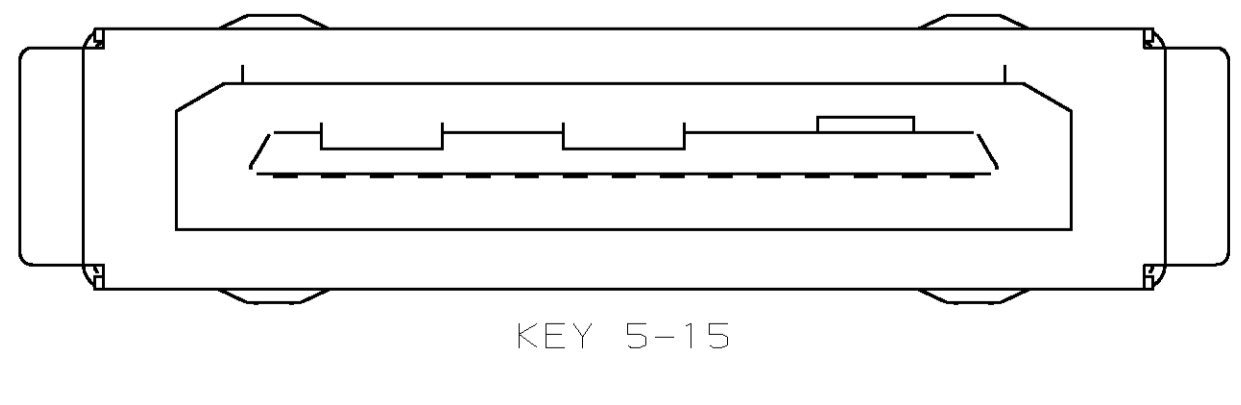
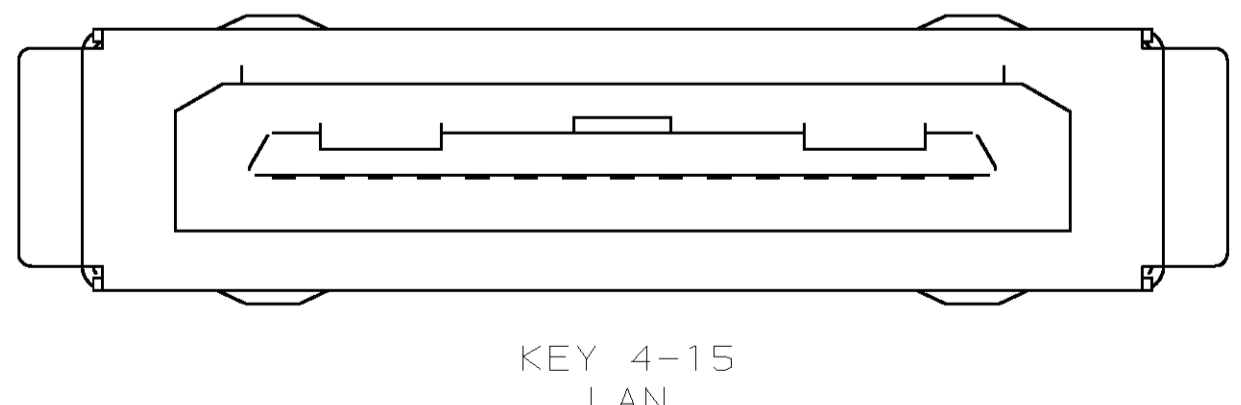
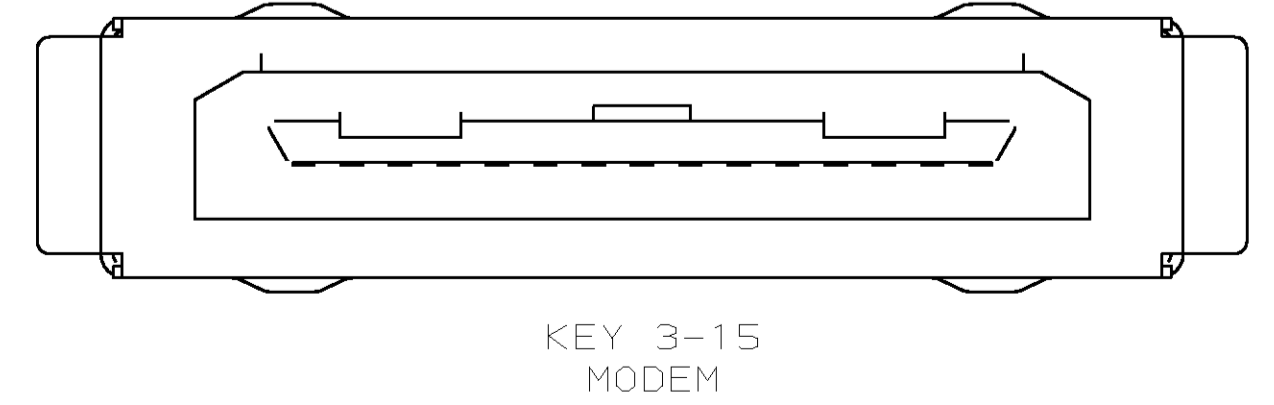
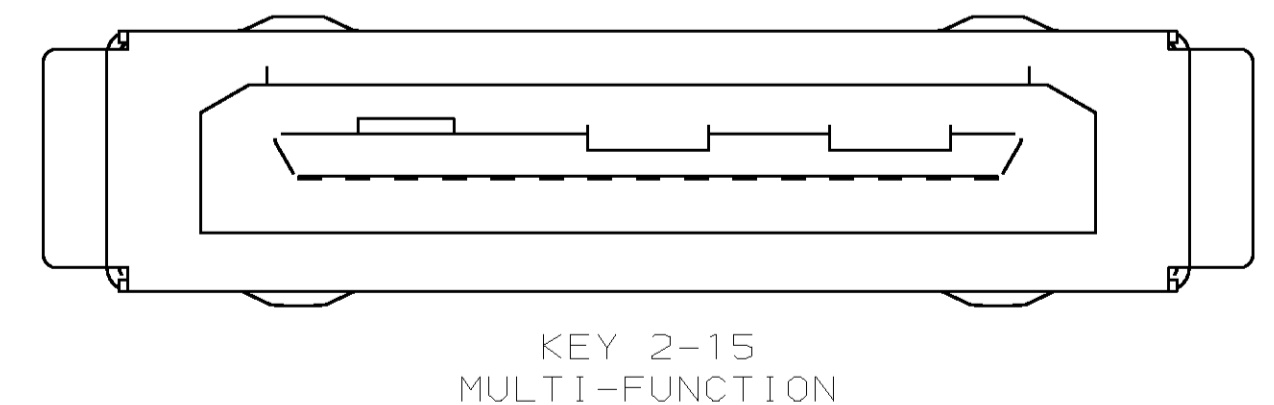
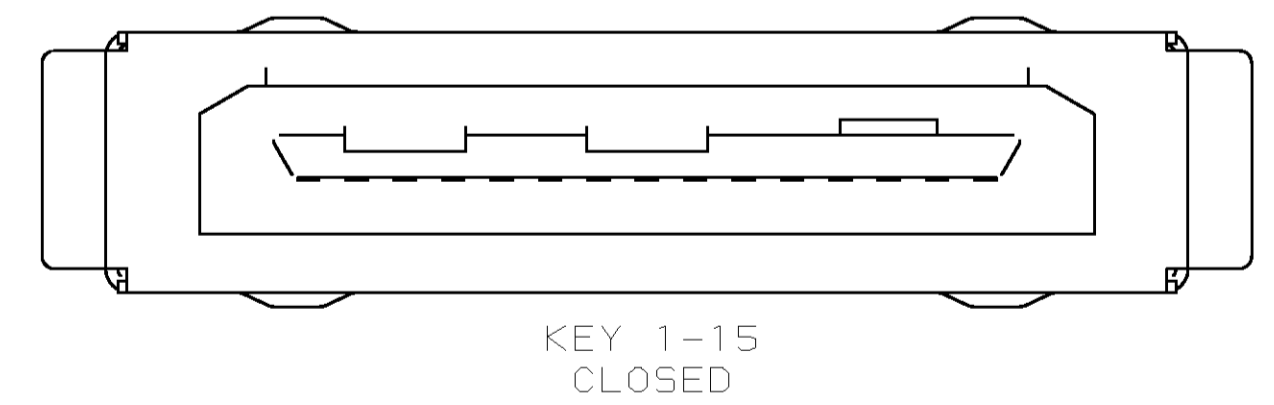
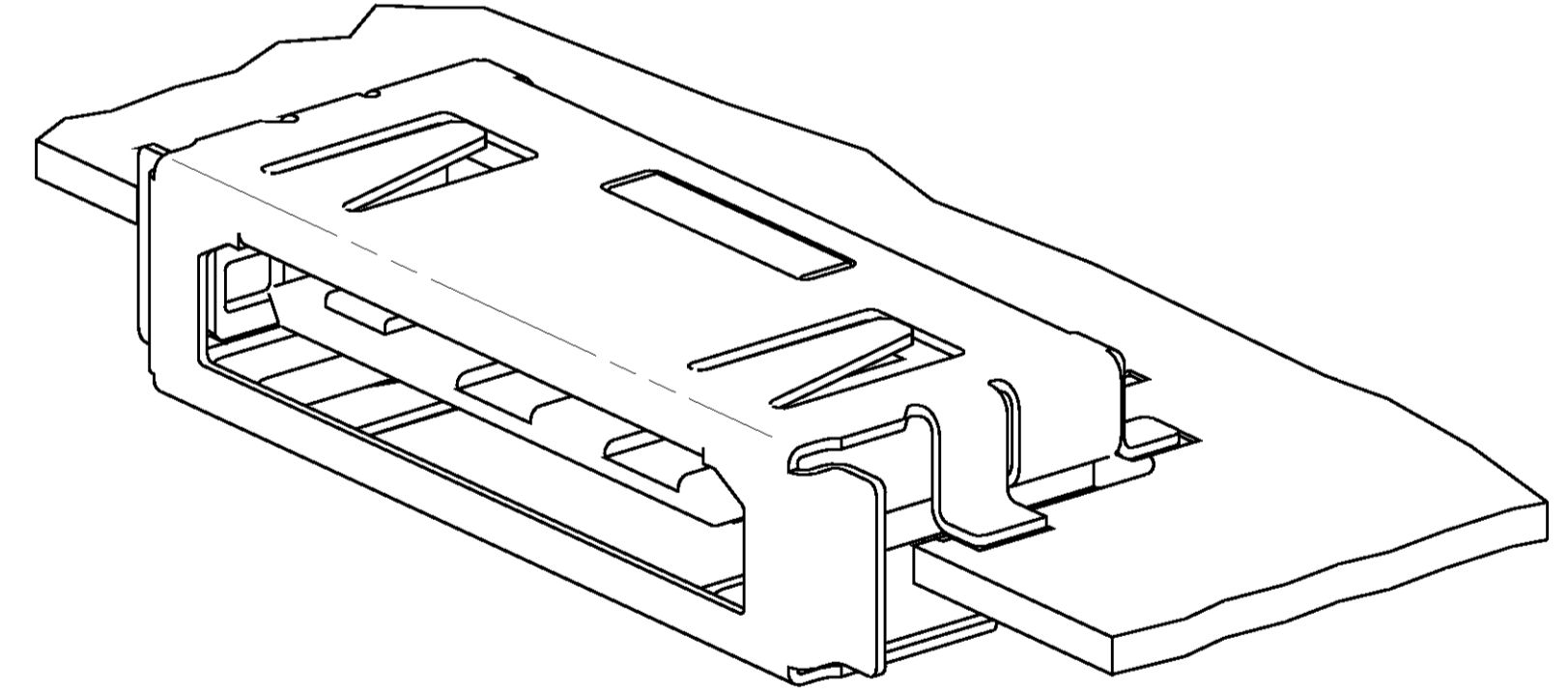


OBSELETE	TAPE & REEL	KEY	PART NUMBER
	TAPE & REEL	KEY 5-15	5-569331-5
	TAPE & REEL	KEY 4-15 LAN	5-569331-4
	TAPE & REEL	KEY 3-15 MODEM	5-569331-3
	TAPE & REEL	KEY 2-15 MULTI-FUNCTION	5-569331-2
	TAPE & REEL	KEY 1-15 CLOSED	5-569331-1
	PACKAGING	KEYING OPTION	PART NUMBER

DIMENSIONS: mm [INCHES] TOLERANCES UNLESS OTHERWISE SPECIFIED: 0 PLC ± 1 PLC ± 2 PLC ± 3 PLC ± 4 PLC ± ANGLES ±		DWN: R. BURCH/UTA 24 SEPT 96 CHK: N. JONES 11 OCT 96 APPV: J. TRAMMEL 18 OCT 96 PRODUCT SPEC: - APPLICATION SPEC: - WEIGHT: - CUSTOMER DRAWING	AMP Incorporated Harrisburg, PA 17105-3608 NAME: HEADER ASSEMBLY, SHIELDED, DUAL 15, TYPE II, SERIES III INFOPORT™ SIZE: A1 CAGE CODE: 00779 DRAWING NO: C-569331 SCALE: 10:1 SHEET: 1 OF 2 REV: C
--	--	--	--



SUGGESTED PC BOARD MOUNTING DIMENSIONS



KEYING OPTIONS
 SCALE 8:1

<small>THIS DRAWING IS A CONTROLLED DOCUMENT FOR AMP INCORPORATED. IT IS SUBJECT TO CHANGE AND THE CONTROLLING ENGINEERING ORGANIZATION SHALL BE CONTACTED FOR THE LATEST REVISION.</small>		DWN R. BURCH/UTA 24 SEPT 96 CHK N. JONES 11 OCT 96 APPV J. TRAMMEL 18 OCT 96	AMP AMP Incorporated Harrisburg, PA 17105-3608
DIMENSIONS: mm [INCHES]	TOLERANCES UNLESS OTHERWISE SPECIFIED: 0 PLC ± 1 PLC ± 2 PLC ± 3 PLC ± 4 PLC ± ANGLES ±	NAME: HEADER ASSEMBLY, SHIELDED, DUAL 15, TYPE II, SERIES III INFOPORT™ PRODUCT SPEC: APPLICATION SPEC: SIZE: A1 CAGE CODE: 00779 DRAWING NO: C-569331	SCALE: 10:1 SHEET: 2 OF 2 REV: C
MATERIAL	FINISH	WEIGHT	CUSTOMER DRAWING